



www.europresspack.com

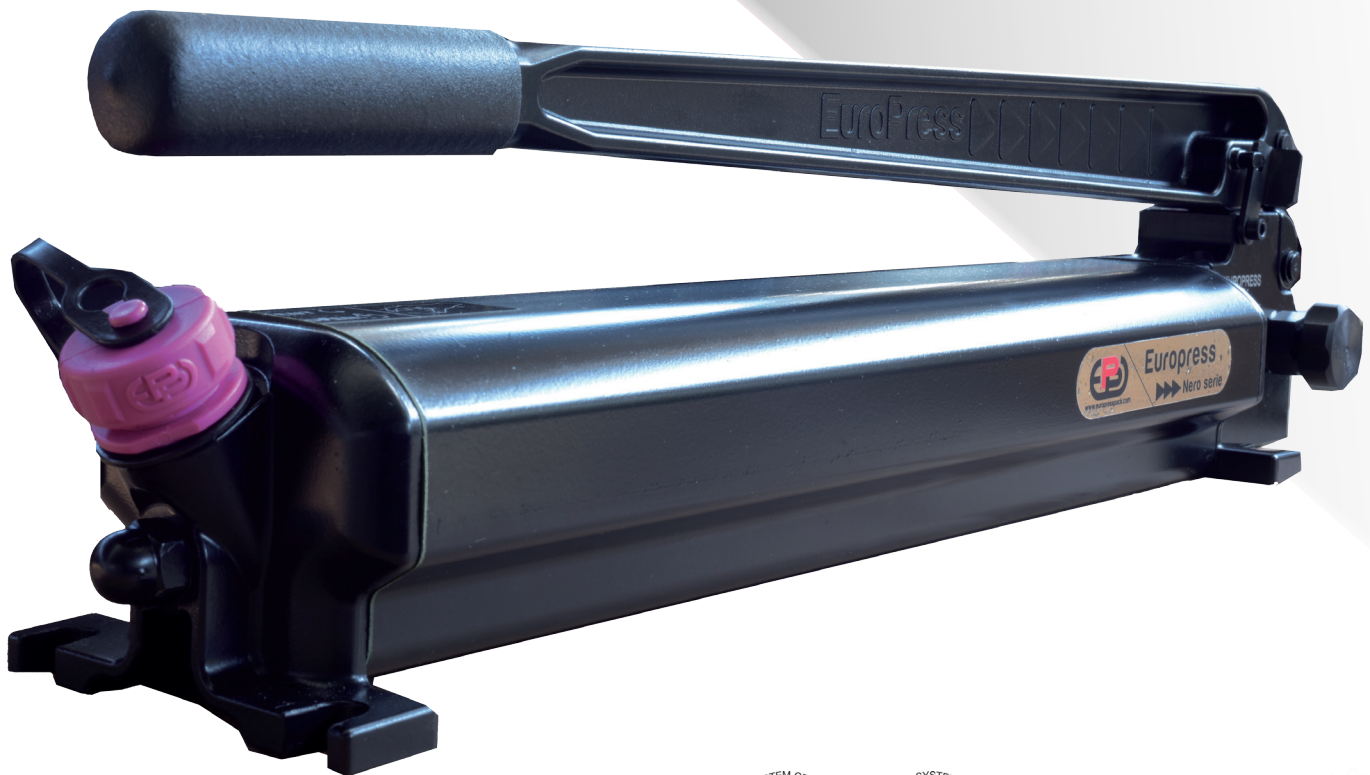
EuroPress

▶▶▶ Nero serie

Pumps

PN

when
design
meets
technology



Certified Company:

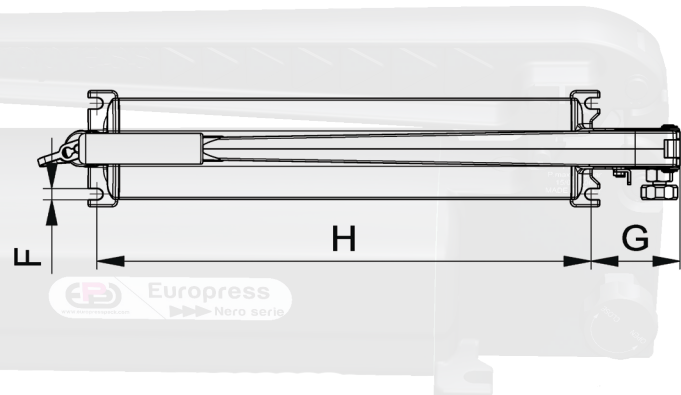
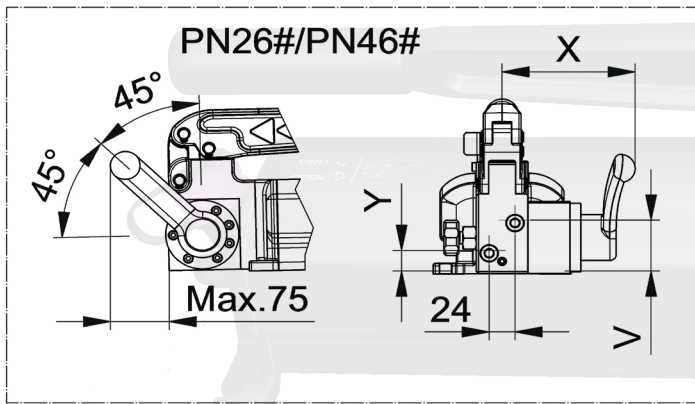
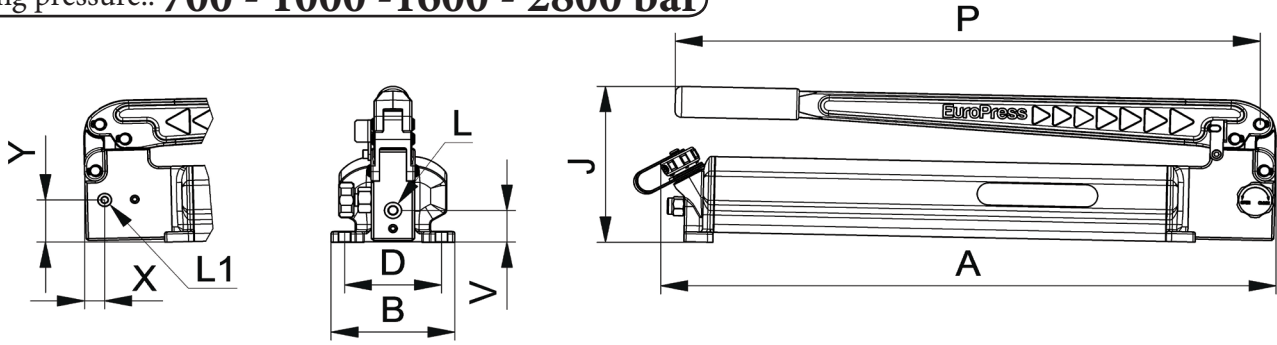


PN

Reservoir capacity: **0,7 - 8,0 l**

Oil delivery per stroke: **0,8 - 2,7 cm³**

Max. working pressure.: **700 - 1000 - 1600 - 2800 bar**



Selection chart

Pressure 1st stage bar	Pressure 2nd stage bar	Oil delivery per stroke 1st stage cc	Oil delivery per stroke 2nd stage cc	Handle effort N	For	Reservoir capacity l	Usable oil volume l	MODEL	Dimensions mm											Weight kg										
									A	B	D	G	H	F	J	L	L1	P	V		X	Y								
-	700	-	-	-	Single acting	-	-	PNP130	362	110	90	52	275	11	135	3/8"NPT	1/4"NPT	330	32	14	44	3,0								
								PNP131	551	110	90	52	460	11	135			554	32	14	44	4,0								
								20	14,7	1,1	455	PNP140	362	110	90	52	275	11	135	330	32	14	44	3,0						
								30	13,7	2,2	380	PNP141	551	110	90	52	460	11	135	544	32	14	44	4,0						
								-	-	-	2,7	363	PN131	572	115	90	83	460	11	154	544	32	18	42	4,8					
													PN132	572	128	105	83	460	11	169	544	47	18	57	6,2					
		PN141	572	115	90	83	460						11	154	544	32	18	42	4,8											
		PN142	572	128	105	83	460						11	169	544	47	18	57	6,2											
		PN162	572	128	105	83	460						11	173	544	32	18	55	6,6											
		PN164	572	190	176	90	471						9	173	544	32	18	55	9,8											
		70	-	28,5	2,2	380	Double acting	-	-	PN168	652	270	256	90	551	9	173	3/8"NPT	1/4"NPT	544	32	18	55	14,5						
										PN262	572	128	105	83	460	11	173			544	52	124	22	7,4						
PN264	572									190	176	90	471	9	173	544	52	124	22	10,6										
PN268	652									270	256	90	551	9	173	544	52	124	22	15,3										
-	-									-	2,7	363	Pilot - check	PN462	572	128	105	83	460	11	173	3/8"NPT	-	544	52	148	22	7,7		
														PN464	572	190	176	90	471	9	173			544	52	148	22	10,9		
				PN468	652	270	256	90	551					9	173	544	52	148	22	15,6										
				20	1000	28,5	1,4	385	High pressures Single acting					-	-	PN16210	572	128	105	83	460	11	173	1/4"BSP 120°	-	544	30	-	-	6,6
																PN16410	572	190	176	90	471	9	173			544	30	-	-	9,8
																PN16810	652	270	256	90	551	9	173	544	30	-	-	14,5		
PN13116	572									115	90	83	460			11	154	1/4"BSP 120°	-	544	31	*	-	3,0						
PN16216	572									128	105	83	460			11	173			544	30	-	-	6,6						
PN16416	572	190	176							90	471	9	173			544	30	-	-	9,8										
PN16816	652	270	256	90	551	9	173	544	30	-	-	14,5																		
15	1600	28,5	1,4	522	High pressures Single acting	-	-	PN13128	572	115	90	83	460	11	154	3/4"-16 UNF	3/8"BSP	544	35	*	-	3,0								
								PN16228	572	128	105	83	460	11	173			544	42	28	42	6,8								
								PN16428	572	190	176	90	471	9	173	544	42	28	42	10,0										
								PN16828	652	270	256	90	551	9	173	544	42	28	42	14,7										

* Gauge port on the pump head

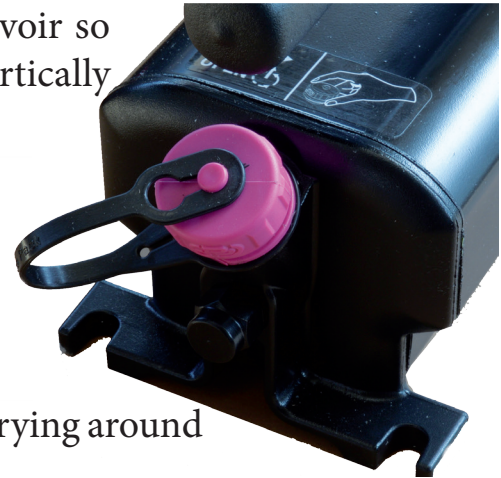


The weight and strength characteristics of the PL range have been retained in the new PN range. Some new models have been added to our hand pumps with the introduction of our new PNP series designed with a plastic reservoir for pump primarily used in fixed operations.

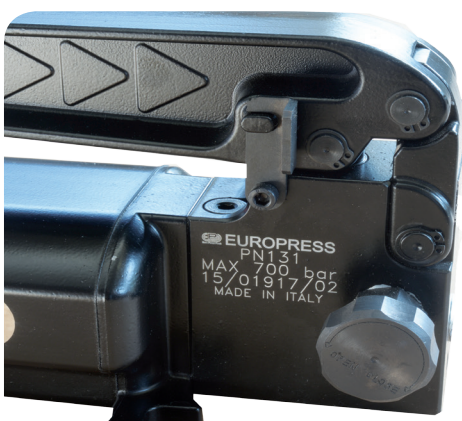
The traditional reliability of the PL pumps has been further enhanced thanks to a new design of the piston and pump body. This will reduce the ingress of dirt particles into the pump.

Pumps with a 1 and 2 liter reservoir capacity have been completely re-designed and are characterized by a higher usable volume which enables the operator to use the total capacity without venting or alternatively, to fill in completely the reservoir and use a higher capacity after having vented.

In these pumps the venting plug is on the rear part of the reservoir so that, without any further modification, the pumps can be used vertically with the pump body facing down.



The handy lever lock enables the pump lever as a handle whilst carrying around the pump, even with accessories assembled to the pump.



On the pump body, which is designed as low profile projecting accessories can be assembled with no excessive overhang to the front feet. The pump is easily secured to a base through the fixing holes in the rear, and by the forks in the feet located in the front of the pump.

All pumps have an externally adjustable relief valve and most of them have a side or front port for a direct connection of a gauge.



Double acting

All pumps from the PN26# series have a 4 way hand valve to be used with oil return or double acting cylinders in pushing or lifting operations. If the retraction is under load it will be controlled by the by-pass valve, if the retraction is not under load it will be used the 4 way valve in retraction position.

Pilot-check

The new pumps from the PN46# series enable a perfectly controlled retraction under load by operating the pump with the valve in discharge position thanks to a pilot check on the A port.

i - On request, our pumps can be altered for use with other fluids/media besides normal hydraulic oils.



www.europresspack.com

E.P.P. MAGNUS Ltd

NORWICH NR6 6AY - UK - 7, Burton Close
Tel. 0044 (0) 1603400861 - Fax 0044 (0) 1603788496
email: welcome@epp-magnus.co.uk
www.europresspack.com

E.P.P. EURO PRESS PACK SpA

Via M.Disma, 87 - 16042 Carasco Genova - Italy
Tel. 00 39 0185 35271 - Fax 00 39 0185 351138
e-mail: sales@europresspack.it
www.europresspack.com

EUROPRESS DEUTSCHLAND GmbH

D - 90427 Nürnberg - Brettergartenstr. 14
Tel. 0049 (0) 91132483-0 Fax 0049 (0) 91132483-33
e-mail: info@europress-deutschland.de
www.europresspack.com