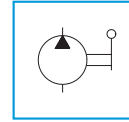


STEEL HAND PUMPS WITH LARGE OIL DELIVERY 700 BAR



- Reservoir Capacity **9,3 - 19,4 l**
- Oil Delivery per Stroke in HP **4,8 cm³**
- Max Pressure **700 bar**

FEATURES

Two-stage hand pumps with automatic change-over from the 1st to the 2nd stage that require a moderate effort on the handle to reach maximum working pressure.

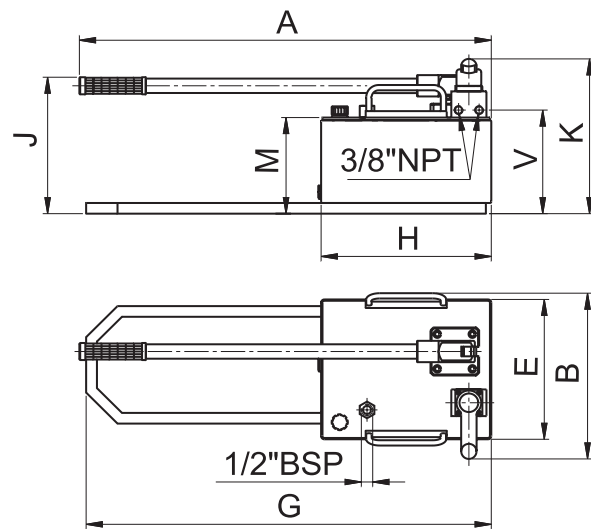
All models are equipped with:

- Relief valve
- Carry handle
- 1/2" BSP connection for pressure gauge

Available with 10 or 20 litre reservoirs and 3-way, 4-way and 4-way with controlled check valves.

OPERATIONAL AREAS

These pumps are ideal in all those applications where both cheapness and handiness as well as higher flow and tank capacity are required, if compared to electric or pneumatic power packs and to PL hand pumps.



OPTIONS

■ **Version G** Pump with pressure gauge **G10 (PV # G)**.

SELECTION CHART

Pressure 1 st stage	Pressure 2 nd stage	Oil Delivery 1 st stage	Oil Delivery 2 nd stage	Handle Effort	For use with	Reservoir Capacity	Usable Oil Volume	MODEL	Dimensions mm								Weight without oil	Weight with oil		
									A	B	E	G	H	J	K	M			V	kg
20	700	125	4,8	450	Single acting	9,3	7,7	PV1810	763	261	245	750	315	257	290	180	194	20,9	29	
								PV1820				-	650	245	278	168	182	23,1	40	
						Double acting	9,3	7,7				PV2810	750	315	257	290	180	194	20,9	29
												PV2820	-	650	245	278	168	182	23,1	40
					Double acting with controlled check valve	9,3	7,7	PV4810		313		245	750	315	257	290	180	194	20,9	29
								PV4820					-	650	245	278	168	182	23,1	40