

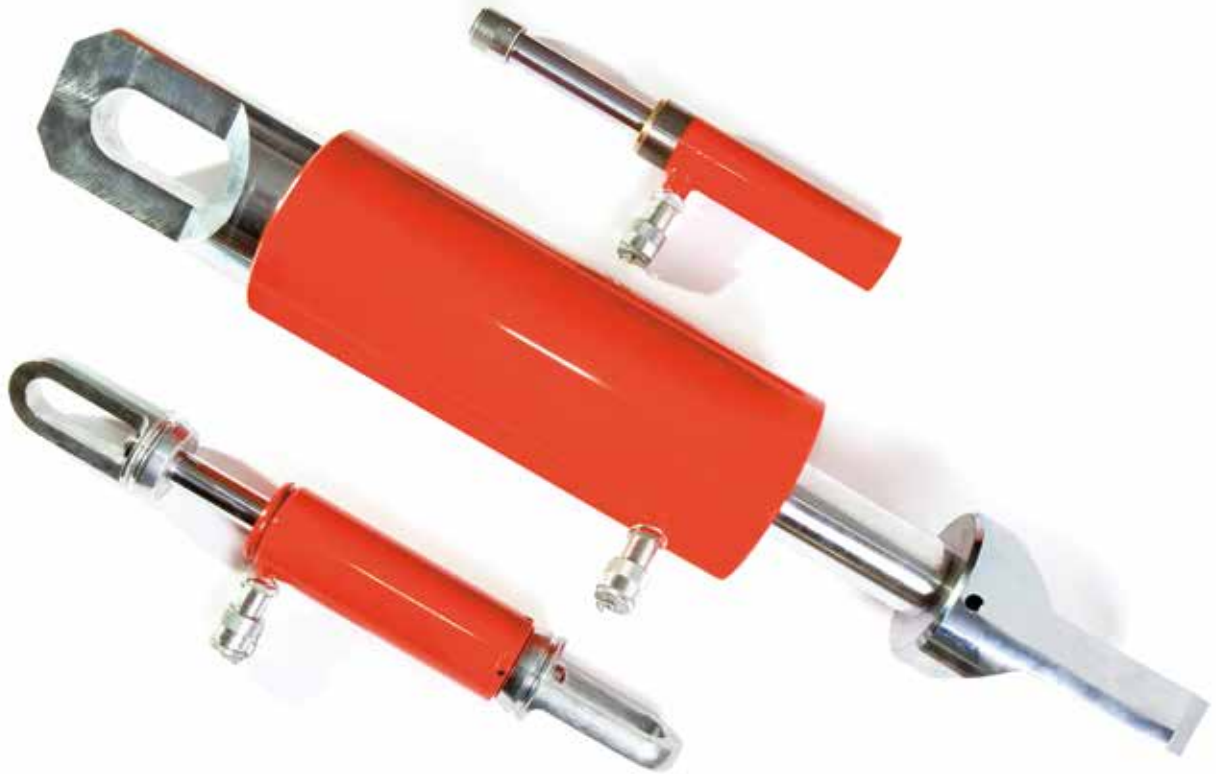
**CRM TRA-TR**

2-100 ton
Stroke 75-160 mm
700 bar

**CRM
TRA-TR**
Series

Pulling, single-acting cylinders with spring return

Pulling force: for structure approach operations

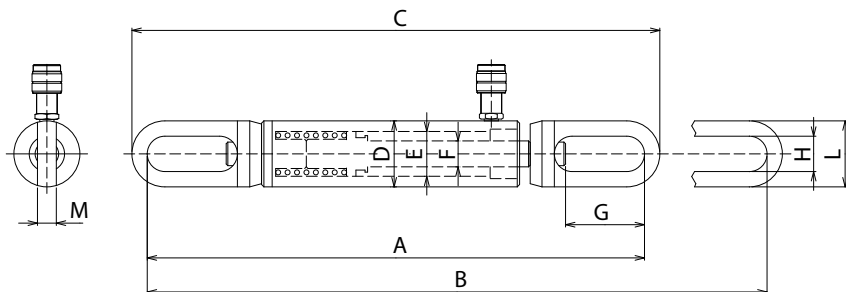


- Cylinders that operate under a pulling force. Ideal for load approach and welding operations in the shipbuilding and heavy structural steelwork sectors. Used in the laboratory to test construction materials for civil engineering applications.
- Spring-actuated return. Designed to operate in any position.
- The wiper reduces contamination entering the cylinder, limiting wear over time.
- High-strength, removable steel eyelets.
- Models weighing more than 20 kg are equipped with a handle or lifting eyebolts to make them easier to carry.

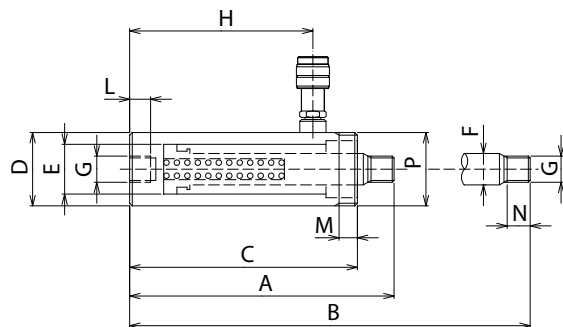
**SPECIAL CYLINDERS
ON REQUEST**



Double-acting pulling cylinder CRI 250/300 SN for bridge starting movement.



CRM-TRA



CRM-TR



- The eyelet can be used to adjust the extended and closed heights of the CRM30/75 TRA and CRM 30/155 TRA models.
- Construction on request of forks and pins, protective bellows and connectors or threads based on customer specifications.

CAP/Force ton (kN)	STROKE mm	MODEL	SECTION cm ²	VOLUME cm ³	WEIGHT kg	DIMENSIONS in mm								
						A	B	C	D	E	F	G	H	L
10 /109	75	CRM-10/75-TRA	15.7	118	13.5	531	606	567	78	55	32	95	42	78
10 /109	150	CRM-10/150-TRA	15.7	235	14.5	606	756	642	78	55	32	95	42	78
30 /304.3	75	CRM-30/75-TRA	40.84	314	28.5	700 - 804	775 - 879	750 - 854	114	85	45	100	54	104
30 /304.3	155	CRM-30/155-TRA	40.84	648.5	38	810 - 914	965 - 1069	860 - 964	114	85	45	100	54	104
60 /613.1	80	CRM-60/80-TRA	84.23	674	70.5	690	770	768	175	125	70	137	62	140
60 /613.1	155	CRM-60/155-TRA	84.23	1306	92.5	840	995	918	175	125	70	137	62	140
100 /1042.3	160	CRM-100/160-TRA	143.2	2292	170	950	1110	1048	225	165	95	149	72	170

CAP/Forza ton (kN)	STROKE mm	MODEL	SECTION cm ²	VOLUME cm ³	WEIGHT kg	DIMENSION IN mm											
						A	B	C	D	E	F	G	H	L	M	N	P
2 /22.9	127	CRM 2/127 TR	3.27	41.5	1.8	234	361	202.5	40	30	22	3/4 NPT	163.5	22	20	18	M40 X 1.5
5 /53	140	CRM 5/140 TR	7.57	106	4.9	300	440	255	60	45	32	1 - 1/4 NPT	201.5	30	35	22	M60 X 1.5
10 /102.9	150	CRM 10/150 TR	14.13	226.9	8.4	304	454	264	80	55	35	M30X2	220	25	24	25	M80 X 2

Cylinders with higher tonnage and different strokes are also available.