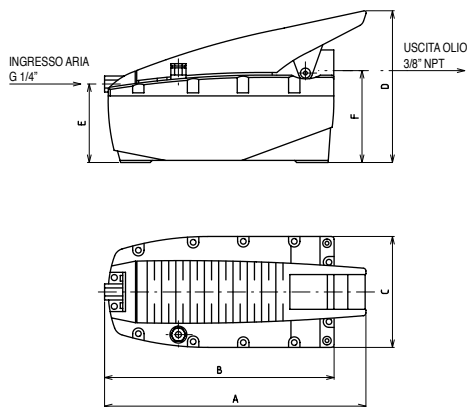


**PP SERIES  
PNEUMOHYDRAULIC PUMPS**

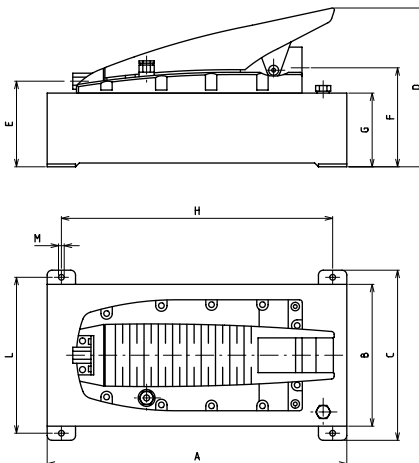
700 bar  
Single-speed  
2.5 to 10 l reservoir

**PP- 700**  
Series

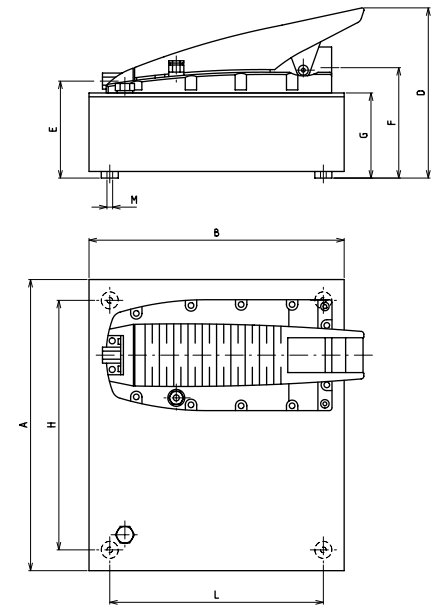
**Pneumohydraulic  
pumps**



PP-700-T



PP-700-T-L5



PP-700-T-L10

- Pneumohydraulic pumps that are compact and easy to use.
- Equipped with a standard reservoir of 2.5 litre in plastic and 5 or 10 litre in steel.
- Connected to the compressed air line with a threaded G 1/4" fitting.
- The 3 or 4 way valves can be used to operate single or double-acting cylinders.
- Available version RC with remote control.
- Air operating pressure 2.8 to 8 bar.

MODEL	PRESSURE	FLOW l/min	RESERVOIR CAPACITY litres	USABLE OIL litres	AIR PRESSURE bar	DIMENSIONS in mm										WEIGHT kg
	bar					A	B	C	D	E	F	G	H	L	M	
PP 700 T	700	0.8	2.5	2.1	2.8 - 8	365	320	155	209	109	127	-	-	-	-	6.3
PP 700 T L5		0.8	5	4	2.8 - 8	420	198	240	221	120	139	104	380	221.5	6	14
PP 700 T L10		0.8	10	8	2.8 - 8	410	360	-	237	136	155	120	350	300	M8	26
PP 700 T DE		0.8	2.5	2.1	2.8 - 8	320	320	155	233	109	129	-	-	-	-	6.3
PP 700 T DE L5		0.8	5	4	2.8 - 8	420	198	240	245	120	141	104	380	221.5	6	14
PP 700 T DE L10		0.8	10	8	2.8 - 8	410	360	-	261	136	157	120	350	300	M8	29
PP 700 T RC		0.8	2.5	2.1	2.8 - 8	322	320	155	218	109	127	-	-	-	-	6.3
PP 700 T RC L5		0.8	5	4	2.8 - 8	420	198	240	230	120	139	104	380	221.5	6	14
PP 700 T RC L10		0.8	10	8	2.8 - 8	410	360	-	246	136	155	120	350	300	M8	26