

IN-LINE VALVES - REGULATING VALVES

700 - 1000 - 2000 - 3000 BAR



Pressure **700 - 3000 bar**

FEATURES

These valves provide the means to control cylinders and actuators operating at pressures of 700, 1000, 2000 and 3000 Bar.

Specifications.

- VL Manual and electric control valves to operate single acting (3-way) and double acting (4 way) systems
- VR Regulating, shut-off and check valves to isolate and monitor hydraulic systems

Control voltage for solenoids is 230 VAC
Different voltages are available on request.

HOW TO SELECT A VALVE

Please consider the following information when choosing a valve.

- **Single acting cylinders:** these require a **3-way** valve (three outlets: pressure P, tank T, cylinder A)
- **Double acting cylinders:** these require a **4-way** valve (4 outlets, pressure P, tank T, extension A, return B)
- **Positions:** these are the valve lever position points: extension and retraction of the cylinder (**2 position** valve) extension, holding and return (**3 position** valve)
- **Centre:** Intermediate position. The centre may be **open** and in this case the valve connects the pump (P) and users (A,B) to the discharge outlet (T), or closed and then all outlets are **closed** (if you want to isolate the cylinder but use the pump to feed other users)



When using **closed centre** valves the pump must be **switched off** when the valve lever is in the central position to prevent overheating of the oil.



For installation of the valves in modular units, refer to the relevant section.

p. 75-76



Follow our safety instructions
see useful pages

p. 126



For installation of the valves on hand pumps PL, refer to the relevant section.

p. 51



VLM - IN-LINE MANUAL VALVES

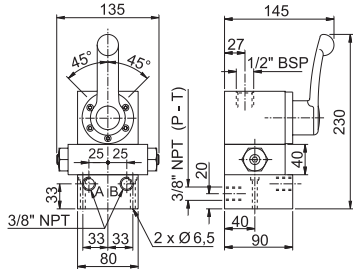

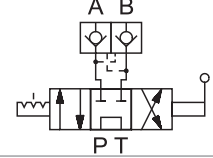
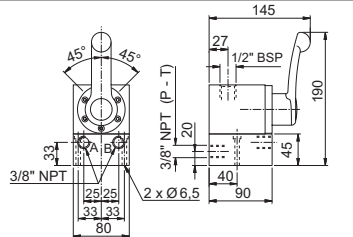

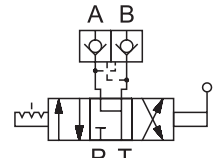
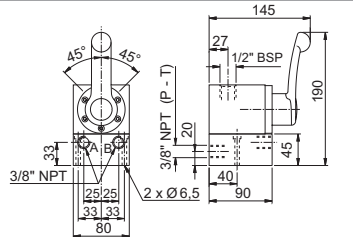

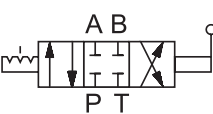
VLM PRESSURE 700 BAR

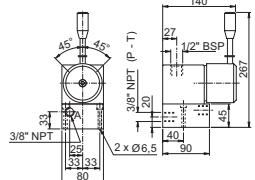

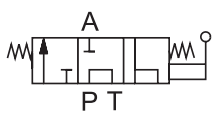
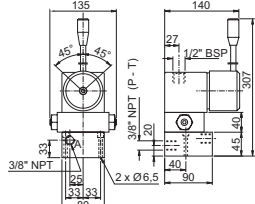

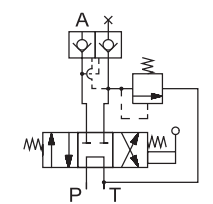
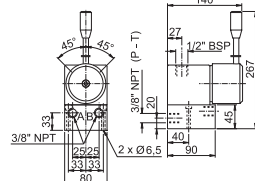

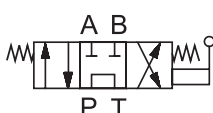
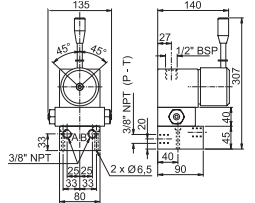

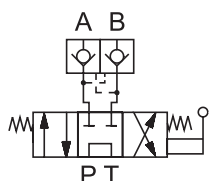
VALVES AND ACCESSORIES

MODEL	Description	Symbol
VLM31	<p>3-way, 3-position Manual Control Valve.</p> <ul style="list-style-type: none"> • Advance • Hold • Return 	
VLM32	<p>3-way, 3-position Manual Control Valve Pilot operated Check Valve.</p> <ul style="list-style-type: none"> • Advance • Hold with Pilot Check • Return 	
VLM35	<p>3-way, 3-position Manual Control Valve Pilot operated Check Valve P closed.</p> <ul style="list-style-type: none"> • Advance • Hold with Pilot Check • Return 	
VLM36	<p>3-way, 3-position Manual Control Valve Closed Centre.</p> <ul style="list-style-type: none"> • Advance • Hold • Return 	
VLM41	<p>4-way, 3-position Manual Control Valve.</p> <ul style="list-style-type: none"> • Advance • Hold • Return 	

VLM - IN-LINE MANUAL VALVES

VLS - IN-LINE MANUAL VALVES SPRING RETURN IN CENTRAL POSITION

VLM PRESSURE 700 BAR				
MODEL	Description			Symbol
VLM42	4-way, 3-position Manual Control Valve Pilot operated Check. <ul style="list-style-type: none"> • Advance • Hold with Pilot Check • Return 			
VLM45	4-way, 3-position Manual Control Valve Pilot operated Check Valve P closed. <ul style="list-style-type: none"> • Advance • Hold with Pilot Check • Return 			
VLM46	4-way, 3-position Manual Control Valve Closed Centre. <ul style="list-style-type: none"> • Advance • Hold • Return 			

VLS PRESSURE 700 BAR				
MODEL	Description			Symbol
VLS31	3-way, 3-position Manual Control Valve. <ul style="list-style-type: none"> • Advance • Hold • Spring return in central position 			
VLS32	3-way, 3-position Manual Control Valve with Pilot operated Check Valve. <ul style="list-style-type: none"> • Advance • Hold with pilot check • Spring return in central position 			
VLS41	4-way, 3-position Manual Control Valve. <ul style="list-style-type: none"> • Advance • Hold • Spring return in central position 			
VLS42	4-way, 3-position Manual Control Valve with Pilot operated Check Valve. <ul style="list-style-type: none"> • Advance • Hold with pilot check • Spring return in central position 			

VLE - IN-LINE ELECTRIC VALVES

VR - IN-LINE REGULATING VALVES

VLE PRESSURE 700 BAR

MODEL	Description	Symbol
VLE31	<p>3-way, 3-position Electric Control Valve.</p> <ul style="list-style-type: none"> • Advance • Hold • Return 	
VLE41	<p>4-way, 3-position Electric Control Valve.</p> <ul style="list-style-type: none"> • Advance • Hold • Return 	
VLE42	<p>4-way, 3-position Electric Control Valve with Pilot operated Check.</p> <ul style="list-style-type: none"> • Advance • Hold with pilot check • Return 	

VR PRESSURE 700 BAR

MODEL	Description	Symbol
VRB38	<p>Counterbalance valve. It allows the positive hold of the load; calibrated during assembling, it controls automatically the down stroke speed without pressure oscillations and load jumping. Only for double acting cylinders.</p>	
VRM14	<p>Pressure relief valve limiting the circuit pressure to the maximum required value (ranging between 50 and 700 bar). Adjusted by the valve control wheel. Suitable to be mounted on a panel.</p>	
VRM381	<p>Pressure relief valve limiting the circuit pressure to the maximum required value (ranging between 50 and 700 bar). Adjusted by the valve control wheel. Suitable to be mounted in line.</p>	

VR - IN-LINE REGULATING VALVES


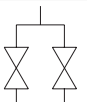
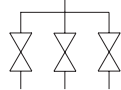
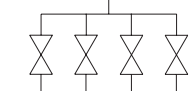
VR PRESSURE 700 BAR		MODEL	Description	Symbol
		VRP38	Pilot operated check valve. To permit free flow in one way and shut off the flow in the opposite direction. Pilot ratio 1.4 	
		VRR38	One-way check valve. To shut off the oil flow in one direction $\Delta P = 1$ bar 	

VR PRESSURE 1000 BAR		MODEL	Description	Symbol
		VRF38	Needle valve. To shut off the flow. 	
		VRU38	One-way flow control valve. It permits controlled load lowering. 	
		VRH38	One-way flow control valve with fine regulation. It permits controlled load lowering. 	
		VRF382	Double outlet needle valve. To split the flow in two separate ways. $A = 90$ 	
		VRF384	Needle valve with four outlets to split the flow in four separate ways. $A = 210$ 	



VR - IN-LINE REGULATING VALVES

ZOH - IN-LINE REGULATING VALVES

VR PRESSURE 2000 BAR

MODEL	Description	Symbol
VRF15	Needle valve. To shut off the flow.	
VRF152	Double outlet needle valve. To split the flow in two separate ways. A= 115	
VRF153	Needle valve with three outlets to split the flow in three separate ways. A= 180	
VRF154	Needle valve with four outlets to split the flow in four separate ways. A= 245	

VR PRESSURE 3000 BAR

MODEL	Description	Symbol
VRF34	Needle valve. To exclude circuit branches.	
VRR34	One-way check valve. To shut off the oil flow in one direction.	

ZOH HYDRAULIC OIL



Always use EUROPRESS hydraulic oil or oil having the same technical characteristics. Different oil types might damage the seals or gaskets and equipment and would make the guarantee null and void.

Container size

1 - 10 lt

FEATURES

EUROPRESS high pressure hydraulic oil is a mineral based oil to ISO VG 32 with excellent viscosity and lubrication properties. The use of EUROPRESS oil will ensure maximum efficiency and long service life of the equipment. EUROPRESS hydraulic oil is non foaming, will not leave gummy deposits, nor corrode valve seats, seals or gaskets, or the cylinder walls.

Supplied in 1, 5 and 10 lt. containers.

Code:

- ZOH1 1 litre Container
- ZOH5 5 litres Container.
- ZOH10 10 litres Container.