

MPT series

Maximum working pressure up to 800 kPa (8 bar) - Flow rate up to 300 l/min



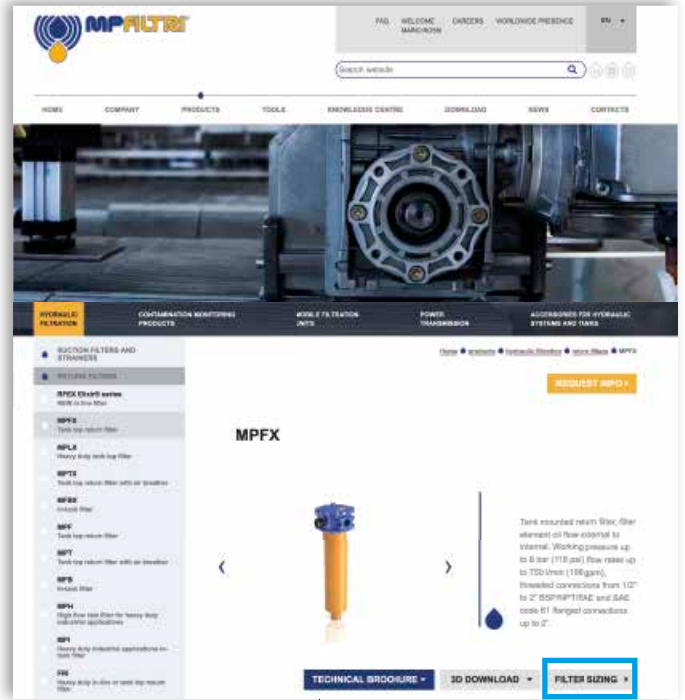
TYPICAL FILTER SIZING Selection Software

Step ①

Select "FILTER SIZING SOFTWARE" after login

OR

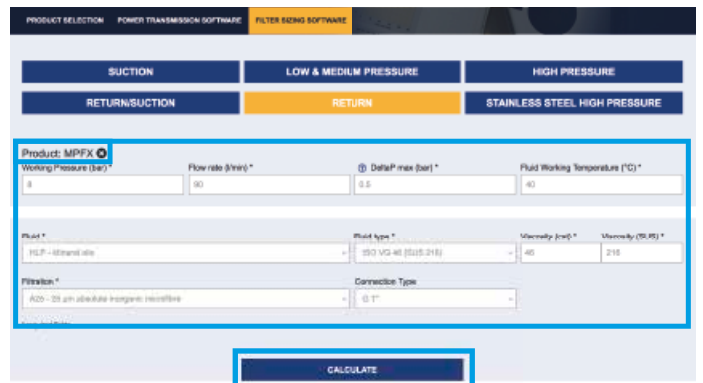
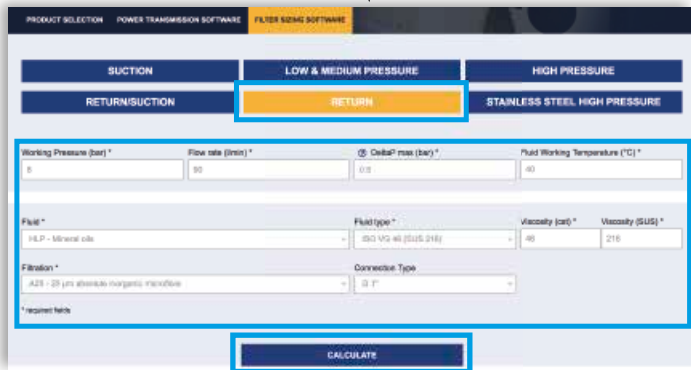
Select "FILTER SIZING" after login from a product page



Choose the type of filter family.
Enter the main data for sizing the filter
then push CALCULATE.

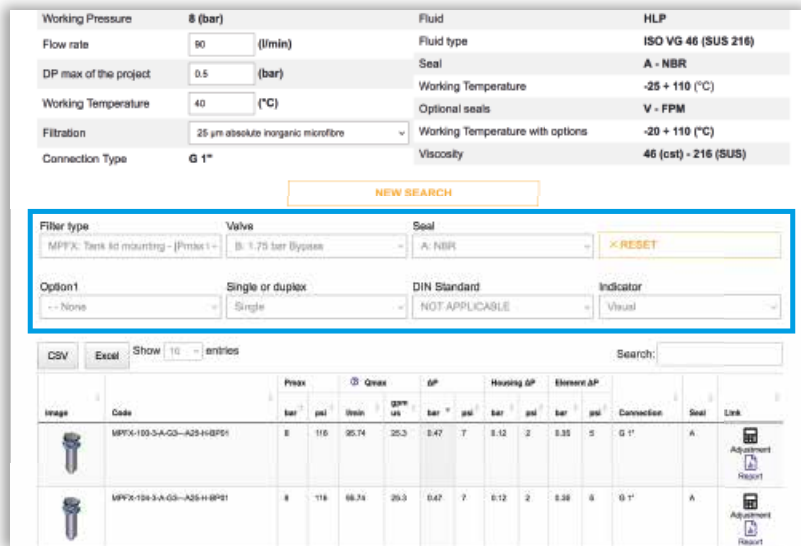
Step ②

Enter the main data for sizing the filter
then push CALCULATE.



Step ③

Select the desired options to choose the appropriate filter type for the application.



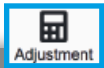
Step 4

Choose the most suitable filter from the proposed list.

Image	Code	Peak bar	Qmax gal/min	ΔP bar	Housing ΔP bar	Element ΔP bar	Connection	Seal	Link			
	MPFX-103-3-A-Q3-A25-H-BPST	8	116	25.74	25.3	0.47	T	0.12 2	0.33 5	G 1"	A	
	MPFX-104-3-A-Q3-A25-H-BPST	8	116	25.74	25.3	0.47	T	0.12 2	0.33 5	G 1"	A	

Step 5

It is possible to change the filter modifying every parameter.



A SAVE YOUR FILTER'S REPORT



B MANUAL EDIT



SAVE IN YOUR ARCHIVE
typing your reference data and then SAVE AS PDF



A new browser window displays the pdf

see **A**

Close the report window



By clicking your WELCOME button, the SHOW REPORTS is displayed: select it to see your filters list.

Description

Technical data

Return filter

Maximum working pressure up to 800 kPa (8 bar)

Flow rate up to 300 l/min

MPT is a range of return filters with integrated breather filter, for protection of the reservoir against the system contamination.

They are directly fixed to the reservoir, in immersed or semi-immersed position.

The filter output must be always immersed into the fluid to avoid aeration or foam generation into the reservoir.

Available features:

- Female threaded connections up to 1 1/4", for a maximum flow rate of 300 l/min
- Multiple connections, to connect several return lines or drains
- Fine filtration rating, to get a good cleanliness level into the reservoir
- Bypass valve integrated into the filter element, to relieve excessive pressure drop across the filter media
- 2, 3 or 6 fixing holes for installation, to suit a variety of reservoir surfaces
- O-ring or Flat Seal to suit a variety of reservoir surfaces
- Screw-in cover with a special shape, to allow the filter element replacement without the use of specific tools
- Oil dipstick, to easily check the level of the fluid into the reservoir (sold as separate item)
- Extension tube, to be used in deep reservoirs (sold as separate item)
- Diffuser, to reduce the risk of aeration, foaming and noise (sold as separate item)
- Integrated breather filter, to clean the air that moves into the reservoir as result of the oil level fluctuation
- Integrated breather filter with pressurization valve, to clean the air that moves into the reservoir as result of the oil level fluctuation and to guarantee the pressurization into the reservoir
- Visual, electrical and electronic clogging indicators

Common applications:

- Light industrial equipment
- Mobile application

Filter housing materials

- Head: Aluminium
- Cover: Nylon
- Bowl: Nylon

Bypass valve

- Opening pressure 175 kPa (1.75 bar) $\pm 10\%$
- Opening pressure 300 kPa (3 bar) $\pm 10\%$

Δp element type

- Microfibre filter elements - series H: 10 bar
- Fluid flow through the filter element from OUT to IN

Seals

- Standard NBR series A
- Optional FPM series V

Temperature

From -25 °C to +110 °C

Note

MPT filters are provided for vertical mounting



Weights [kg] and volumes [dm³]

Filter series	Weights [kg]					Volumes [dm ³]				
	Length	1	2	3	4	Length	1	2	3	4
MPT 025		0.41	0.45	0.50	-		0.24	0.35	0.42	-
MPT 027		0.44	0.48	0.55	-		0.24	0.35	0.42	-
MPT 110		1.00	1.05	1.15	1.40		0.72	0.93	1.28	1.74
MPT 114		1.10	1.15	1.25	1.50		0.72	0.93	1.28	1.74
MPT 116		1.10	1.15	1.25	1.50		0.72	0.93	1.28	1.74
MPT 120		1.00	1.05	1.15	1.40		0.72	0.93	1.28	1.74

Filter series	Length	Filter element design - H series					Filter element design - N series		
		A03	A06	A10	A16	A25	M25 M60 M90	P10	P25
MPT 025-027	1	7	10	23	28	42	59	51	54
	2	17	20	45	48	56	72	64	67
	3	21	24	50	55	59	76	74	75
MPT 110-114 116-120	1	18	20	53	56	65	153	87	96
	2	28	38	65	75	95	158	111	123
	3	48	55	125	135	169	289	224	251
	4	79	89	180	185	198	306	264	289

Maximum flow rate for a complete return filter with a pressure drop $\Delta p = 0.5$ bar.

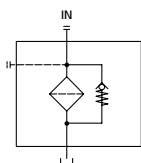
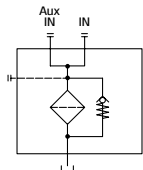
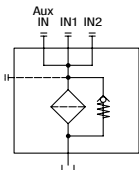
The reference fluid has a kinematic viscosity of 30 mm²/s (cSt) and a density of 0.86 kg/dm³.

For different pressure drop or fluid viscosity we recommend to use our selection software available on www.mpfiltri.com.

You can also calculate the right size using the formulas present on the FILTER SIZING paragraph at the beginning of the full catalogue or at the beginning of the filter family brochure. Please, contact our Sales Department for further additional information.

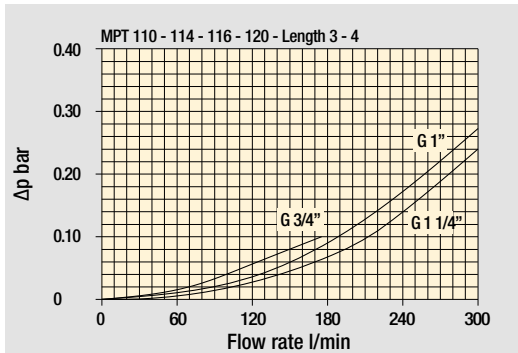
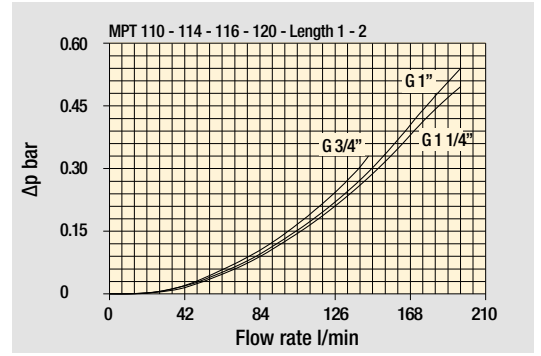
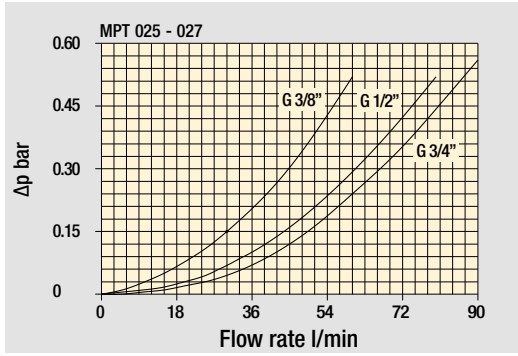
Hydraulic symbols

Filter series	Style 1 connection	Style 2 connections	Style 3 connections
MPT 025	•		
MPT 027	•		
MPT 110		•	
MPT 114	•		
MPT 116	•		
MPT 120			•

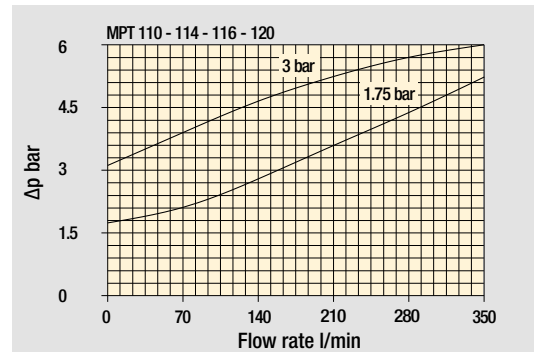
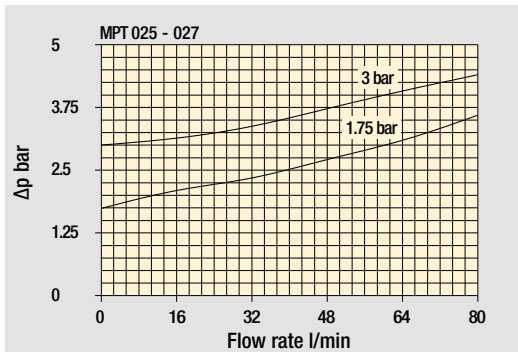
		
---	---	---

Pressure drop

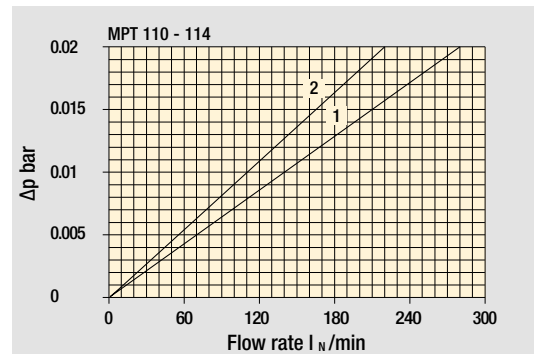
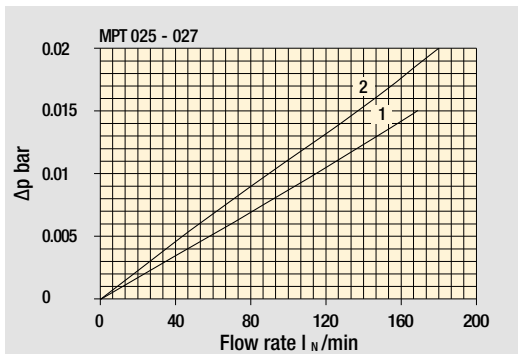
Filter housings Δp pressure drop



Bypass valve pressure drop



Air breather pressure drop







- 1 C With air breather 10 μ m
- 2 D With anti-splash and SAP50 10 μ m

The curves are plotted using mineral oil with density of 0.86 kg/dm³ in compliance with ISO 3968. Δp varies proportionally with density.

MPT 025 -027		
Air breather port plugged Indicator port	Air breather standard Indicator port	Anti-splash air breather & pressurized Double indicator port
		

Multiport - Multifunction

MPT 110	
Standard - Single IN Port	Double IN Port - Double indicator port
	
Double IN Port Option: double drain port	Double IN Port - Indicator port Option: drain port
	

MPT 120

Triple IN port
Option: double drain port



MPT MPT025 - MPT027

Designation & Ordering code

COMPLETE FILTER

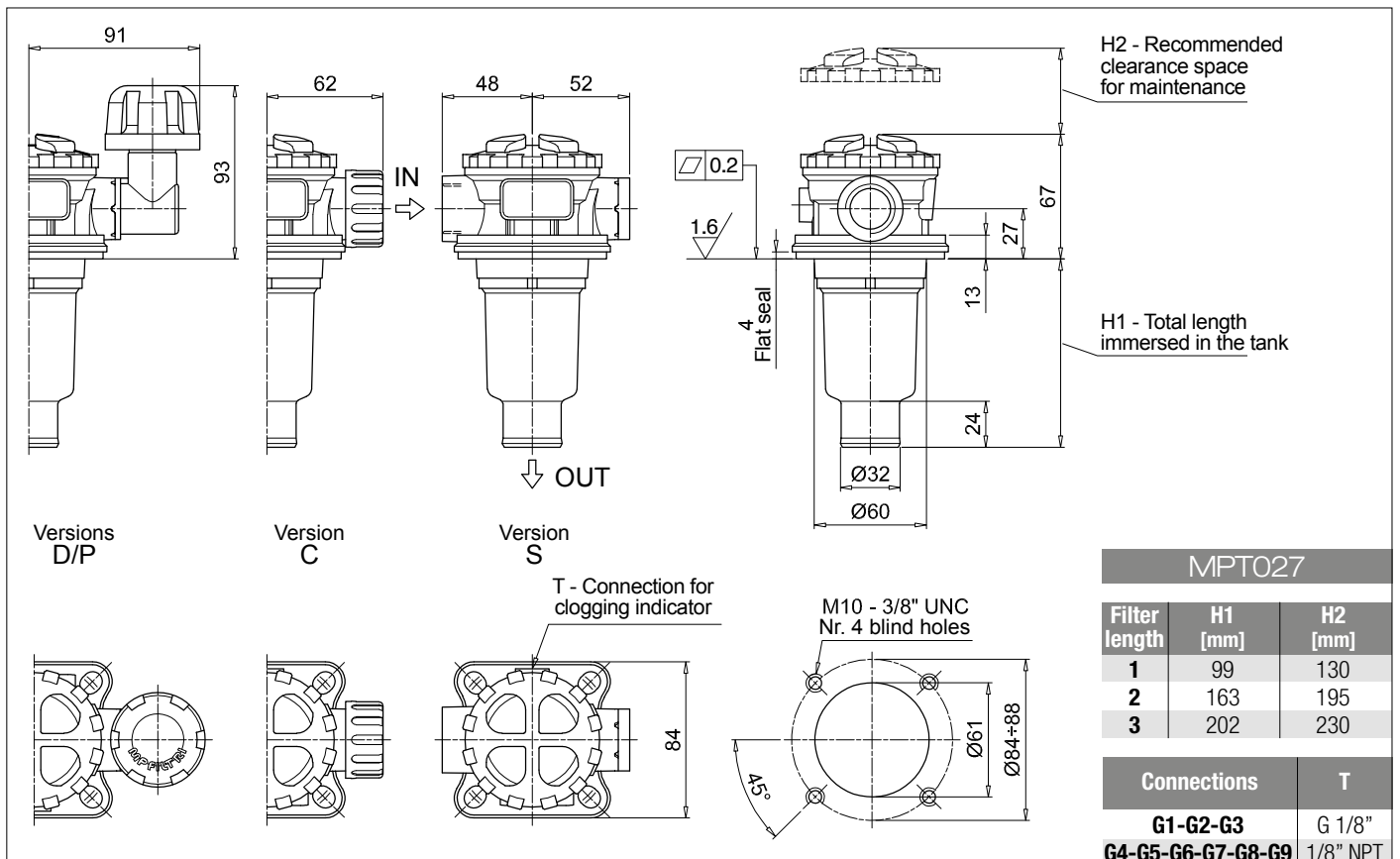
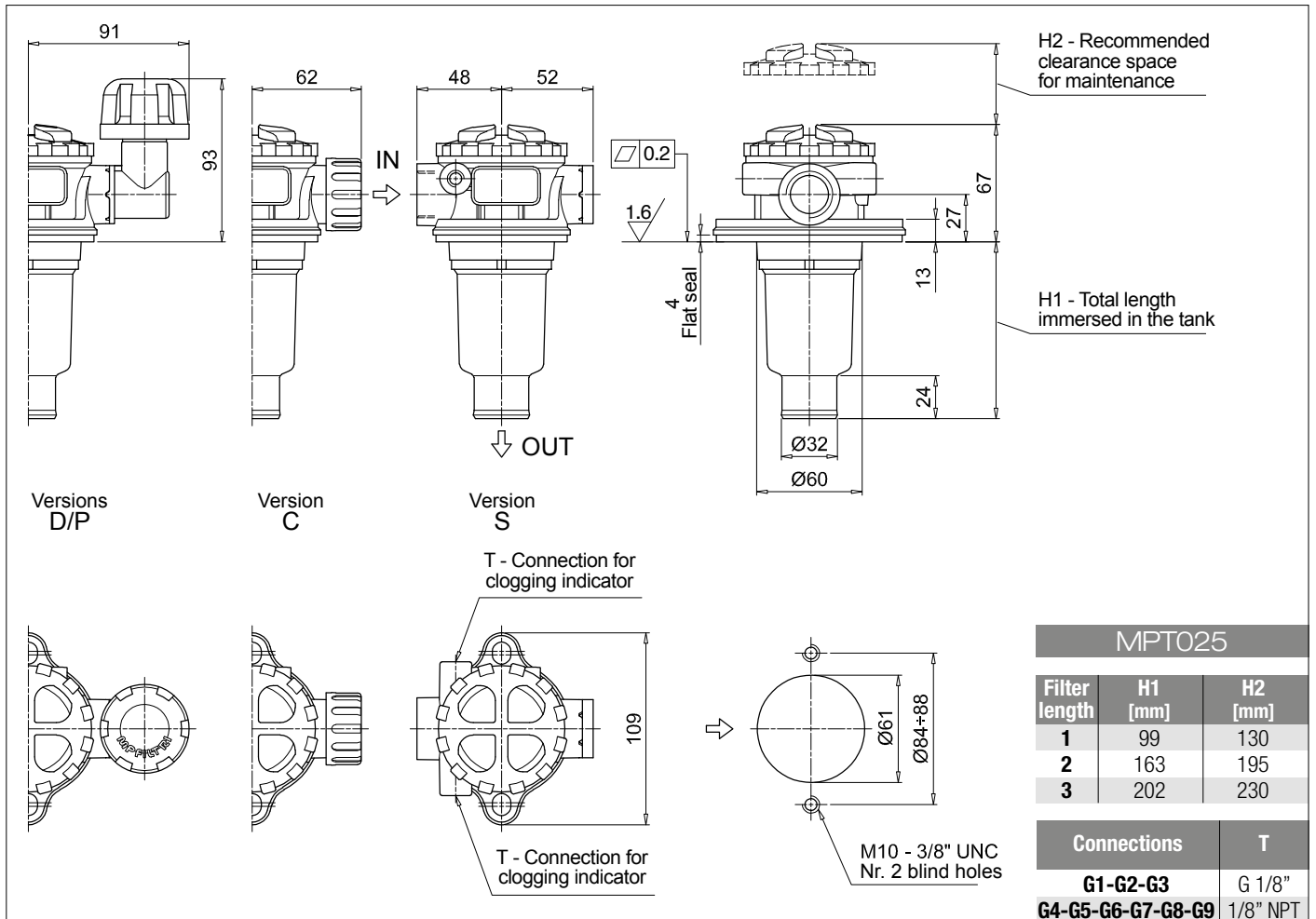
Series and size MPT025 MPT027 Filter element with standard spigot	Configuration example 1: MPT025 1 S A G3 A10 E P01
	Configuration example 2: MPT027 3 C W G6 A03 B P01
Length 1 2 3	
Air breather S Without air breather C With air breather 10 µm D With anti-splash and air breather SAP050 10 µm P With anti-splash and air breather SAP050 10 µm, pressurization 0.5 bar	
Seals and treatments	Filtration rating
A NBR	Axx Mxx Pxx
V FPM	• • •
W NBR head anodized	• • •
Z FPM head anodized	• • •
	filter element compatible with fluids HFA-HFB-HFC
Connections	
G1 G 3/8"	G6 3/4" NPT
G2 G 1/2"	G7 SAE 6 - 9/16" - 18 UNF
G3 G 3/4"	G8 SAE 8 - 3/4" - 16 UNF
G4 3/8" NPT	G9 SAE 12 - 1 1/16" - 12 UN
G5 1/2" NPT	
Filtration rating (filter media)	
A03 Inorganic microfiber 3 µm	M25 Wire mesh 25 µm
A06 Inorganic microfiber 6 µm	M60 Wire mesh 60 µm
A10 Inorganic microfiber 10 µm	M90 Wire mesh 90 µm
A16 Inorganic microfiber 16 µm	P10 Resin impregnated paper 10 µm
A25 Inorganic microfiber 25 µm	P25 Resin impregnated paper 25 µm
	Bypass valve E 3 bar B 1.75 bar
	Execution P01 MP Filtri standard Pxx Customized

FILTER ELEMENT

Element series and size MF020 Filter element with standard spigot	Configuration example 1: MF020 1 A10 H B E P01
	Configuration example 2: MF020 3 A03 W B P01
Element length 1 2 3	
Filtration rating (filter media)	
A03 Inorganic microfiber 3 µm	M25 Wire mesh 25 µm
A06 Inorganic microfiber 6 µm	M60 Wire mesh 60 µm
A10 Inorganic microfiber 10 µm	M90 Wire mesh 90 µm
A16 Inorganic microfiber 16 µm	P10 Resin impregnated paper 10 µm
A25 Inorganic microfiber 25 µm	P25 Resin impregnated paper 25 µm
Element Δp	Filter media
N 10 bar	Axx Mxx Pxx
H 10 bar	• • •
W 10 bar, compatible with fluids HFA, HFB and HFC	• • •
	Seals B NBR V FPM
	Bypass valve E 3 bar B 1.75 bar
	Execution P01 MP Filtri standard Pxx Customized

ACCESSORIES

Indicators	page		page
BVA Axial pressure gauge	240	BEA Electrical pressure indicator	239
BVR Radial pressure gauge	240	BEM Electrical pressure indicator	239
BVP Visual pressure indicator with automatic reset	241	BLA Electrical / visual pressure indicator	239-240
BVQ Visual pressure indicator with manual reset	241		
Additional features	page		
TE Extension tube	248		
DPT Dipstick	249		



Designation & Ordering code

COMPLETE FILTER

Series and size			Configuration example 1: MPT110 1 S A G1 0 A06 E P01								
MPT110 Filter element with standard spigot			Configuration example 2: MPT110 3 P V G4 1 M25 B P01								
Length											
1 2 3 4											
Air breather											
S Without air breather											
C With air breather 10 µm											
D With anti-splash and air breather SAP050 10 µm											
P With anti-splash and air breather SAP050 10 µm, pressurization 0.5 bar											
Seals and treatments			Filtration rating								
			Axx	Mxx	Pxx						
A NBR			•	•	•						
V FPM			•	•	•						
W NBR head anodized			•	•		filter element compatible with fluids HFA-HFB-HFC					
Z FPM head anodized			•	•							
Main Connections		Aux size 1	Aux size 2	Main Connections		Aux size 2	Aux size 2				
G1 G 3/4"		G 3/8"	G 1/2"	G6 1 1/4" NPT		3/8" NPT	1/2" NPT				
G2 G 1"				G7 SAE 12 - 1 1/16" - 12 UN		SAE 6 - 9/16" - 18 UNF	SAE 8 - 3/4" - 16 UNF				
G3 G 1 1/4"				G8 SAE 16 - 1 5/16" - 12 UN							
G4 3/4" NPT		3/8" NPT	1/2" NPT	G9 SAE 20 - 1 5/8" - 12 UN							
G5 1" NPT											
Aux connection - see previous table											
0 Not machined 1 Aux size 1 2 Aux size 2											
Filtration rating (filter media)											
A03 Inorganic microfiber 3 µm			M25 Wire mesh 25 µm								
A06 Inorganic microfiber 6 µm			M60 Wire mesh 60 µm								
A10 Inorganic microfiber 10 µm			M90 Wire mesh 90 µm								
A16 Inorganic microfiber 16 µm			P10 Resin impregnated paper 10 µm								
A25 Inorganic microfiber 25 µm			P25 Resin impregnated paper 25 µm								
			Bypass valve		Execution						
			E 3 bar		P01 MP Filtri standard						
			B 1.75 bar		Pxx Customized						

FILTER ELEMENT

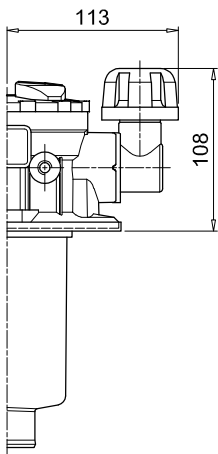
Element series and size			Configuration example 1: MF100 1 A06 H B E P01								
MF100 Filter element with standard spigot			Configuration example 2: MF100 3 M25 N V P01								
Element length											
1 2 3 4											
Filtration rating (filter media)											
A03 Inorganic microfiber 3 µm			M25 Wire mesh 25 µm								
A06 Inorganic microfiber 6 µm			M60 Wire mesh 60 µm								
A10 Inorganic microfiber 10 µm			M90 Wire mesh 90 µm								
A16 Inorganic microfiber 16 µm			P10 Resin impregnated paper 10 µm								
A25 Inorganic microfiber 25 µm			P25 Resin impregnated paper 25 µm								
Element Δp			Filter media								
			Axx	Mxx	Pxx						
N 10 bar				•	•						
H 10 bar			•								
W 10 bar, compatible with fluids HFA, HFB and HFC			•	•							
			Seals		Bypass valve		Execution				
			B NBR		E 3 bar		P01 MP Filtri standard				
			V FPM		B 1.75 bar		Pxx Customized				

ACCESSORIES

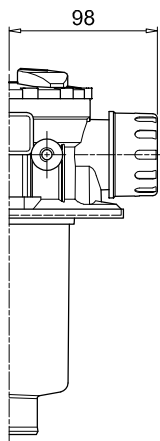
Indicators		page			page
BVA Axial pressure gauge	240		BEA Electrical pressure indicator	239	
BVR Radial pressure gauge	240		BEM Electrical pressure indicator	239	
BVP Visual pressure indicator with automatic reset	241		BLA Electrical / visual pressure indicator	239-240	
BVQ Visual pressure indicator with manual reset	241				
Additional features		page			page
TE Extension tube	248		DPT Dipstick	249	
DFS Diffuser with fast lock connection	249				

MPT110				
Filter length	H1 [mm]	H2 [mm]	D [mm]	I [mm]
1	97	120	38	4
2	144	170	38	4
3	222	250	47	-
4	324	350	47	2.5

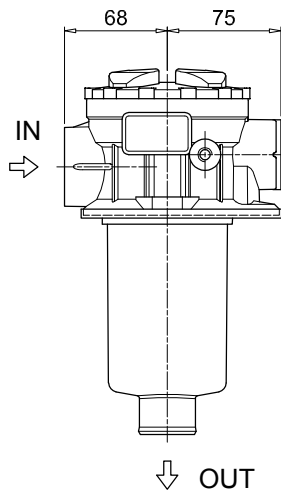
Connections	T
G1-G2-G3	G 1/8"
G4-G5-G6-G7-G8-G9	1/8" NPT



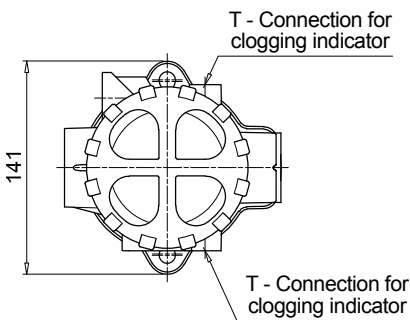
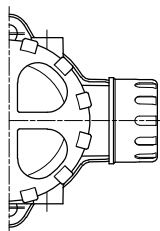
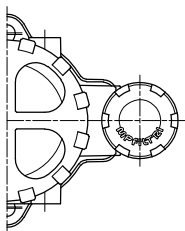
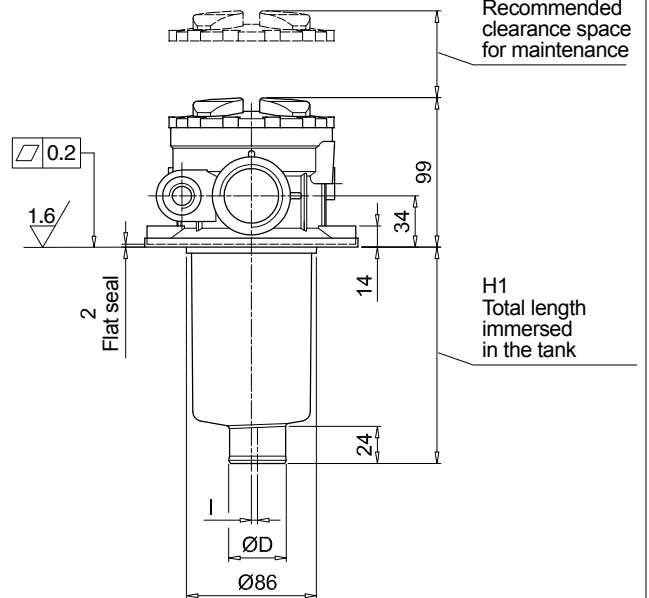
Versions D/P



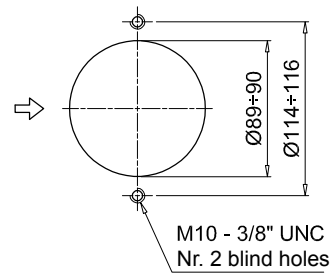
Version C



Version S



Holes on the tank



Designation & Ordering code

COMPLETE FILTER

Series and size	Configuration example 1:	MPT114	4	S	A	G3	A10	E	P01
MPT114 Filter element with standard spigot	Configuration example 2:	MPT114	3	C	W	G6	A03	B	P01

Length	
1 2 3 4	

Air breather	
S Without air breather	
C With air breather 10 µm	
D With anti-splash and air breather SAP050 10 µm	
P With anti-splash and air breather SAP050 10 µm pressurization 0.5 bar	

Seals and treatments	Filtration rating		
	Axx	Mxx	Pxx
A NBR	•	•	•
V FPM	•	•	•
W NBR head anodized	•	•	
Z FPM head anodized	•	•	

filter element compatible with fluids HFA-HFB-HFC

Connections	
G1 G 3/4"	G6 1 1/4" NPT
G2 G 1"	G7 SAE 12 - 1 1/16" - 12 UN
G3 G 1 1/4"	G8 SAE 16 - 1 5/16" - 12 UN
G4 3/4" NPT	G9 SAE 20 - 1 5/8" - 12 UN
G5 1" NPT	

Filtration rating (filter media)	
A03 Inorganic microfiber 3 µm	M25 Wire mesh 25 µm
A06 Inorganic microfiber 6 µm	M60 Wire mesh 60 µm
A10 Inorganic microfiber 10 µm	M90 Wire mesh 90 µm
A16 Inorganic microfiber 16 µm	P10 Resin impregnated paper 10 µm
A25 Inorganic microfiber 25 µm	P25 Resin impregnated paper 25 µm

Bypass valve	Execution
E 3 bar	P01 MP Filtri standard
B 1.75 bar	Pxx Customized

FILTER ELEMENT

Element series and size	Configuration example 2:	MF100	4	A10	H	B	E	P01
MF100 Filter element with standard spigot	Configuration example 1:	MF100	3	A03	W	B		P01

Element length	
1 2 3 4	

Filtration rating (filter media)	
A03 Inorganic microfiber 3 µm	M25 Wire mesh 25 µm
A06 Inorganic microfiber 6 µm	M60 Wire mesh 60 µm
A10 Inorganic microfiber 10 µm	M90 Wire mesh 90 µm
A16 Inorganic microfiber 16 µm	P10 Resin impregnated paper 10 µm
A25 Inorganic microfiber 25 µm	P25 Resin impregnated paper 25 µm

Element Δp	Filter media		
	Axx	Mxx	Pxx
N 10 bar		•	•
H 10 bar	•		
W 10 bar, compatible with fluids HFA, HFB and HFC	•	•	

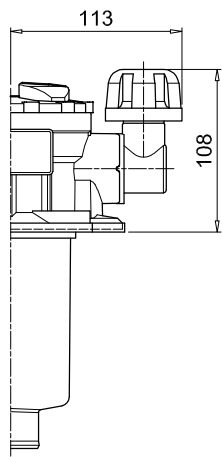
Seals	Bypass valve	Execution
B NBR	E 3 bar	P01 MP Filtri standard
V FPM	1.75 bar	Pxx Customized

ACCESSORIES

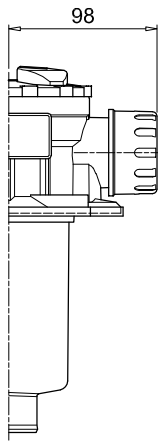
Indicators	page		page
BVA Axial pressure gauge	240	BEA Electrical pressure indicator	239
BVR Radial pressure gauge	240	BEM Electrical pressure indicator	239
BVP Visual pressure indicator with automatic reset	241	BLA Electrical / visual pressure indicator	239-240
BVQ Visual pressure indicator with manual reset	241		
Additional features	page		page
TE Extension tube	248	DPT Dipstick	249
DFS Diffuser with fast lock connection	249		

MPT114				
Filter length	H1 [mm]	H2 [mm]	D [mm]	I [mm]
1	97	120	38	4
2	144	170	38	4
3	222	250	47	-
4	324	350	47	2.5

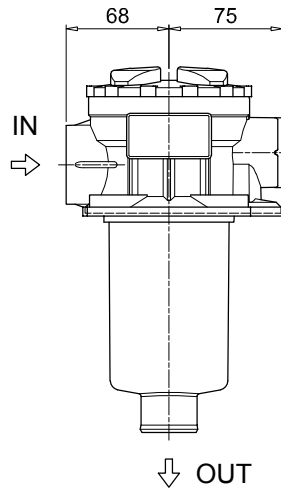
Connections	T
G1-G2-G3	G 1/8"
G4-G5-G6-G7-G8-G9	1/8" NPT



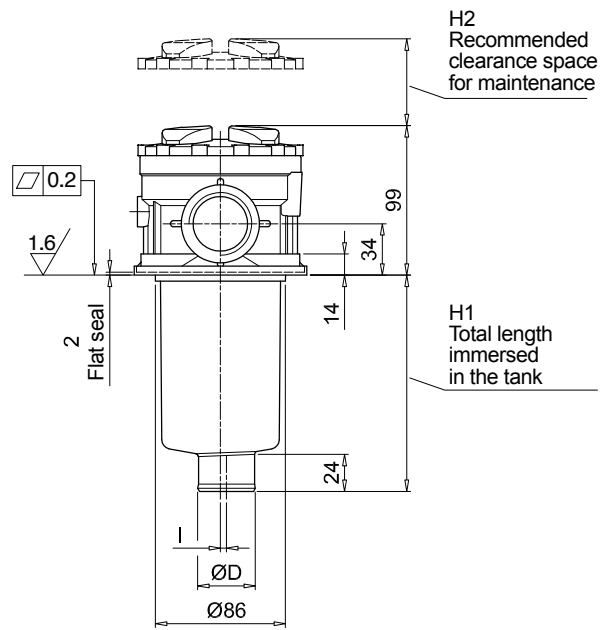
Versions D/P



Version C

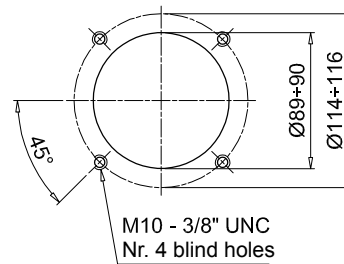
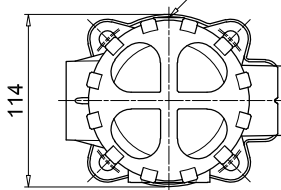
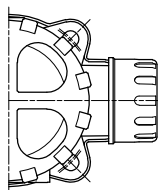
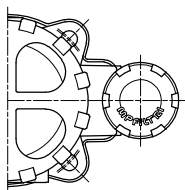


Version S



T - Connection for clogging indicator

Holes on the tank



Designation & Ordering code

COMPLETE FILTER

Series and size		Configuration example 1: MPT116 1 S A G1 M90 E P01							
MPT116 Filter element with standard spigot		Configuration example 2: MPT116 2 S Z G9 A03 B P01							
Length									
1 2 3 4									
Air breather									
S Without air breather									
Seals and treatments		Filtration rating							
		Axx	Mxx	Pxx					
A NBR		•	•	•					
V FPM		•	•	•					
W NBR head anodized		•	•		filter element compatible with fluids HFA-HFB-HFC				
Z FPM head anodized		•	•						
Flat seal on the head on request									
Connections									
G1 G 3/4"		G6 1 1/4" NPT							
G2 G 1"		G7 SAE 12 - 1 1/16" - 12 UN							
G3 G 1 1/4"		G8 SAE 16 - 1 5/16" - 12 UN							
G4 3/4" NPT		G9 SAE 20 - 1 5/8" - 12 UN							
G5 1" NPT									
Filtration rating (filter media)									
A03 Inorganic microfiber 3 µm		M25 Wire mesh 25 µm							
A06 Inorganic microfiber 6 µm		M60 Wire mesh 60 µm							
A10 Inorganic microfiber 10 µm		M90 Wire mesh 90 µm							
A16 Inorganic microfiber 16 µm		P10 Resin impregnated paper 10 µm							
A25 Inorganic microfiber 25 µm		P25 Resin impregnated paper 25 µm							
		Bypass valve		Execution					
		E 3 bar		P01 MP Filtri standard					
		B 1.75 bar		Pxx Customized					

FILTER ELEMENT

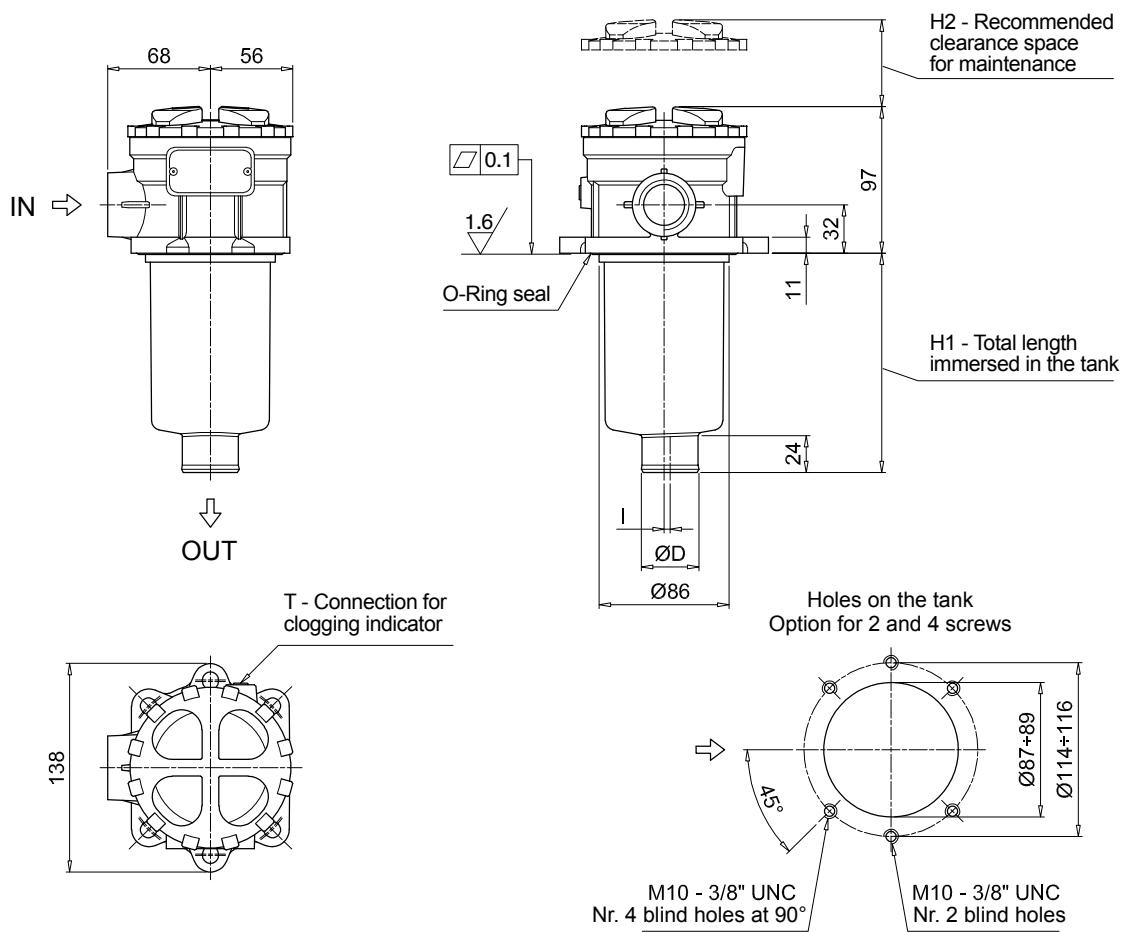
Element series and size		Configuration example 2: MF100 1 M90 N B E P01							
MF100 Filter element with standard spigot		Configuration example 1: MF100 2 A03 W V P01							
Element length									
1 2 3 4									
Filtration rating (filter media)									
A03 Inorganic microfiber 3 µm		M25 Wire mesh 25 µm							
A06 Inorganic microfiber 6 µm		M60 Wire mesh 60 µm							
A10 Inorganic microfiber 10 µm		M90 Wire mesh 90 µm							
A16 Inorganic microfiber 16 µm		P10 Resin impregnated paper 10 µm							
A25 Inorganic microfiber 25 µm		P25 Resin impregnated paper 25 µm							
Element Δp		Filter media							
		Axx	Mxx	Pxx					
N 10 bar			•	•					
H 10 bar		•							
W 10 bar, compatible with fluids HFA, HFB and HFC		•	•						
		Seals		Bypass valve		Execution			
		B NBR		E 3 bar		P01 MP Filtri standard			
		V FPM		B 1.75 bar		Pxx Customized			

ACCESSORIES

Indicators		page			page
BVA Axial pressure gauge	240	BEA Electrical pressure indicator			239
BVR Radial pressure gauge	240	BEM Electrical pressure indicator			239
BVP Visual pressure indicator with automatic reset	241	BLA Electrical / visual pressure indicator			239-240
BVQ Visual pressure indicator with manual reset	241				
Additional features		page			page
TE Extension tube	248	DPT Dipstick			249
DFS Diffuser with fast lock connection	249				

MPT116				
Filter length	H1 [mm]	H2 [mm]	D [mm]	I [mm]
1	99	120	38	4
2	146	170	38	4
3	224	250	47	-
4	326	350	47	2.5

Connections	T
G1-G2-G3	G 1/8"
G4-G5-G6-G7-G8-G9	1/8" NPT



Designation & Ordering code

COMPLETE FILTER

Series and size	Configuration example 1:	MPT120	1	A	G1	0	A06	E	P01
MPT120 Filter element with standard spigot	Configuration example 2:	MPT120	3	V	G4	1	M25	B	P01

Length	
1 2 3 4	

Seals and treatments	Filtration rating		
	Axx	Mxx	Pxx
A NBR	•	•	•
V FPM	•	•	•
W NBR head anodized	•	•	
Z FPM head anodized	•	•	

Main Connections	Rear connections	Aux size 1	Aux size 2
G1 G 3/4"	G 3/4"	G 3/8"	G 1/2"
G2 G 1"	G 1"		
G3 G 1 1/4"	G 3/4"		
G4 3/4" NPT	3/4" NPT	3/8" NPT	1/2" NPT
G5 1" NPT	1" NPT		
G6 1 1/4" NPT	3/4" NPT	SAE 6 - 9/16" - 18 UNF	SAE 8 - 3/4" - 16 UNF
G7 SAE 12 - 1 1/16" - 12 UN	SAE 12 - 1 1/16" - 12 UN		
G8 SAE 16 - 1 5/16" - 12 UN	SAE 16 - 1 5/16" - 12 UN		
G9 SAE 20 - 1 5/8" - 12 UN	SAE 12 - 1 1/16" - 12 UN		

Aux connection - see previous table
0 Not machined 1 Aux size 1 2 Aux size 2

Filtration rating (filter media)	
A03 Inorganic microfiber 3 µm	M25 Wire mesh 25 µm
A06 Inorganic microfiber 6 µm	M60 Wire mesh 60 µm
A10 Inorganic microfiber 10 µm	M90 Wire mesh 90 µm
A16 Inorganic microfiber 16 µm	P10 Resin impregnated paper 10 µm
A25 Inorganic microfiber 25 µm	P25 Resin impregnated paper 25 µm

Bypass valve	Execution
E 3 bar	P01 MP Filtri standard
B 1.75 bar	Pxx Customized

FILTER ELEMENT

Element series and size	Configuration example 1:	MF100	1	A06	H	B	E	P01
MF100 Filter element with standard spigot	Configuration example 2:	MF100	3	M25	N	V		P01

Element length	
1 2 3 4	

Filtration rating (filter media)	
A03 Inorganic microfiber 3 µm	M25 Wire mesh 25 µm
A06 Inorganic microfiber 6 µm	M60 Wire mesh 60 µm
A10 Inorganic microfiber 10 µm	M90 Wire mesh 90 µm
A16 Inorganic microfiber 16 µm	P10 Resin impregnated paper 10 µm
A25 Inorganic microfiber 25 µm	P25 Resin impregnated paper 25 µm

Element Δp	Filter media		
	Axx	Mxx	Pxx
N 10 bar		•	•
H 10 bar	•		
W 10 bar, compatible with fluids HFA, HFB and HFC	•	•	

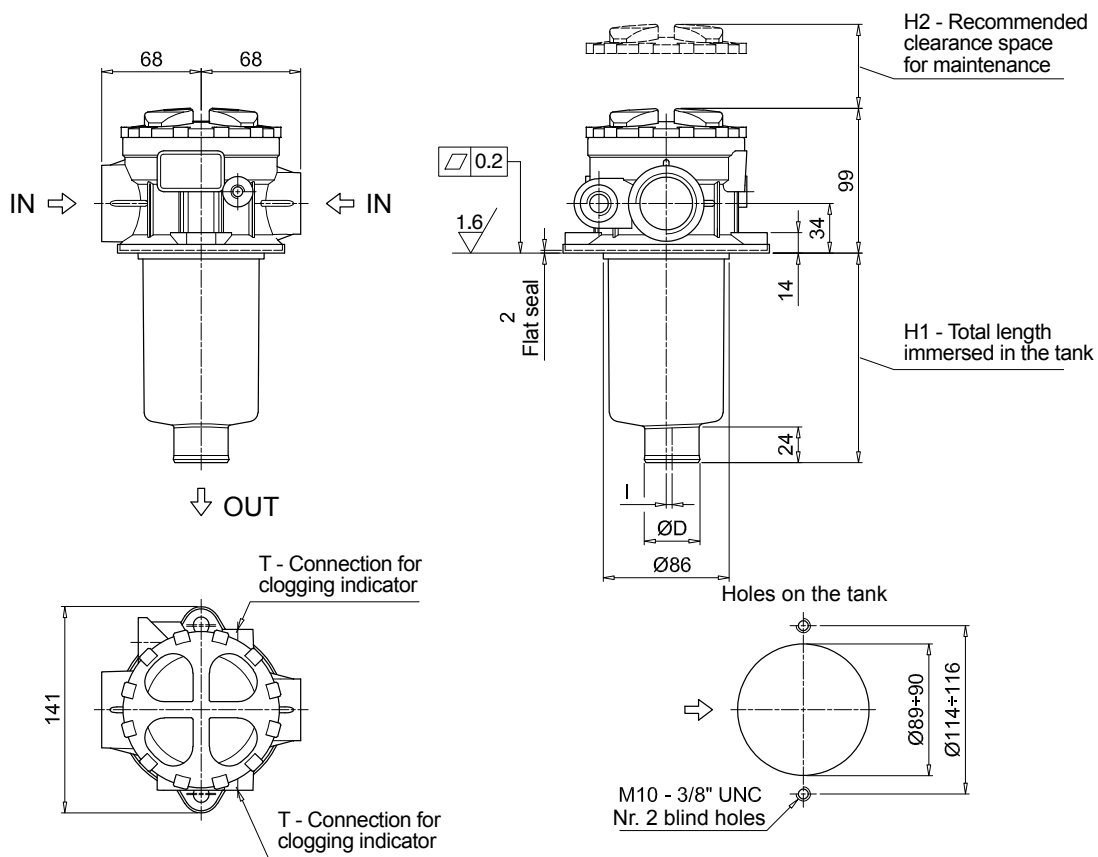
Seals	Bypass valve	Execution
B NBR	E 3 bar	P01 MP Filtri standard
V FPM	1.75 bar	Pxx Customized

ACCESSORIES

Indicators	page		page
BVA Axial pressure gauge	240	BEA Electrical pressure indicator	239
BVR Radial pressure gauge	240	BEM Electrical pressure indicator	239
BVP Visual pressure indicator with automatic reset	241	BLA Electrical / visual pressure indicator	239-240
BVQ Visual pressure indicator with manual reset	241		
Additional features	page		page
TE Extension tube	248	DPT Dipstick	249
DFS Diffuser with fast lock connection	249		

MPT120				
Filter length	H1 [mm]	H2 [mm]	D [mm]	I [mm]
1	97	120	38	4
2	147	170	38	4
3	222	250	47	-
4	324	350	47	2.5

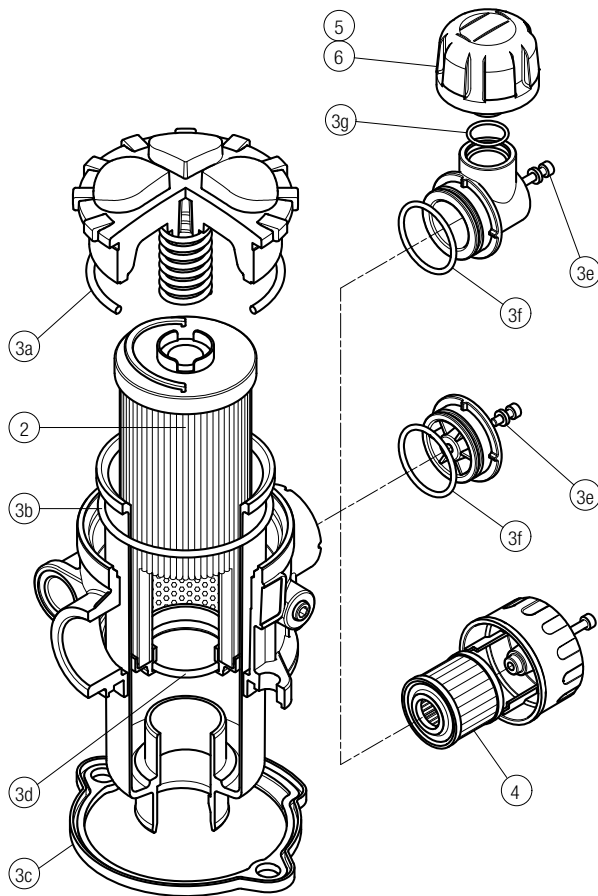
Connections	T
G1-G2-G3	G 1/8"
G4-G5-G6-G7-G8-G9	1/8" NPT



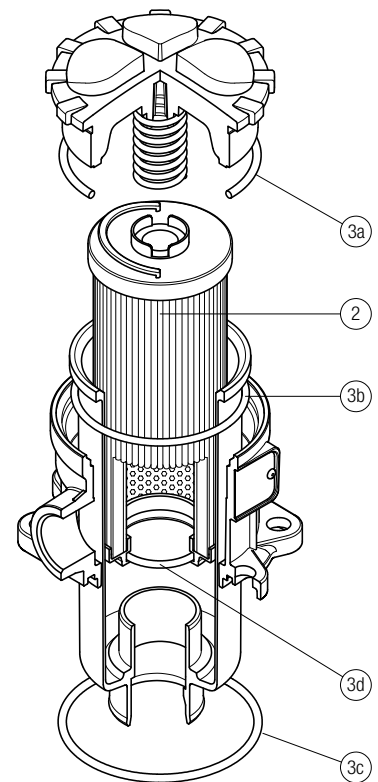
MPT SPARE PARTS

Order number for spare parts

MPT 025 - 027 - 110



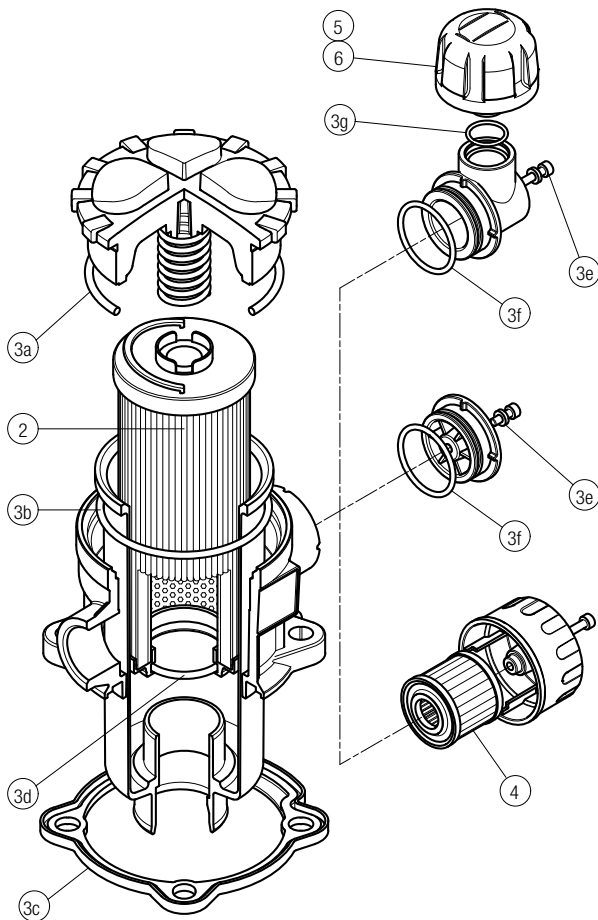
MPT 116



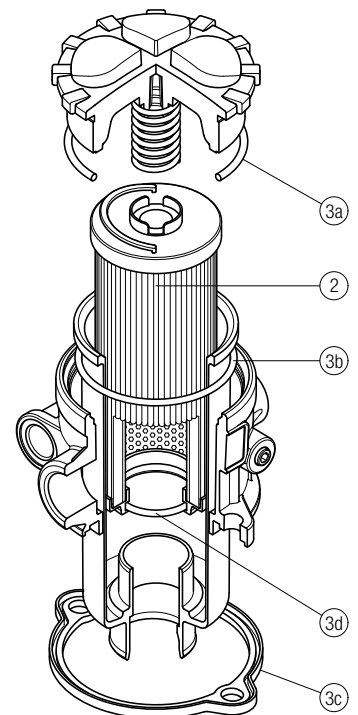
Item:	Q.ty: 1 pc.	Q.ty: 1 pc.	Q.ty: 1 pc.	Q.ty: 1 pc.	Q.ty: 1 pc.	
Filter series	Filter element	Seal Kit code number		C	D	P
		NBR	FPM			
MPT 025	See order table	02050557	02050558	10 µm A3L03	10 µm SAP50G3L03A0P01	10 µm SAP50G3L03A1P01
MPT 027		02050559	02050560	10 µm A3L03	10 µm SAP50G3L03A0P01	10 µm SAP50G3L03A1P01
MPT 110		02050561	02050562	10 µm A5L03	10 µm SAP50G3L03A0P01	10 µm SAP50G3L03A1P01

Item:	Q.ty: 1 pc.	Q.ty: 1 pc.	
Filter series	Filter element	Seal Kit code number	
		NBR	FPM
MPT 116	See order table	02050466	02050467

MPT 114



MPT 120



Item:	Q.ty: 1 pc.	Q.ty: 1 pc.	Q.ty: 1 pc.	Q.ty: 1 pc.	Q.ty: 1 pc.	
Filter series	Filter element	Seal Kit code number	Air breather filter element - version:			
		NBR	FPM	C	D	P
MPT 114	See order table	02050580	02050581	10 µm A5L03	10 µm SAP50G3L03A0P01	10 µm SAP50G3L03A1P01

Item:	Q.ty: 1 pc.	Q.ty: 1 pc.	
Filter series	Filter element	Seal Kit code number	
		NBR	FPM
MPT 120	See order table	02050563	02050564