

AM3UD... MODULAR DIRECT CHECK VALVES CETOP 3



AM3UD...

SCREWS AND STUDS

CH. IV PAGE 21

AM.3.UD type modular check valves allow one way free flow, while flow in the opposite direction is prevented by means of a conical seated poppet.

They are available on single A, B, P and T lines, and on double A and B, P and T lines (see hydraulic symbols).

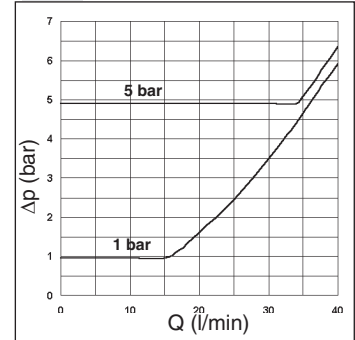
1 bar spring is standard, while a 5 bar rated spring is available on request.

Max. operating pressure	350 bar
Minimum opening pressure spring 1	1 bar
Minimum opening pressure spring 5	5 bar
Max. flow	40 l/min
Hydraulic fluids	Mineral oils DIN 51524
Fluid viscosity	10 ÷ 50 mm ² /s a 50°
Fluid temperature	-25°C ÷ 75°C
Ambient temperature	-25°C ÷ 60°C
Max. contamination level	class 10 in accordance with NAS 1638 with filter β ₂₅ ≥ 75
Weight	0,8 Kg

ORDERING CODE

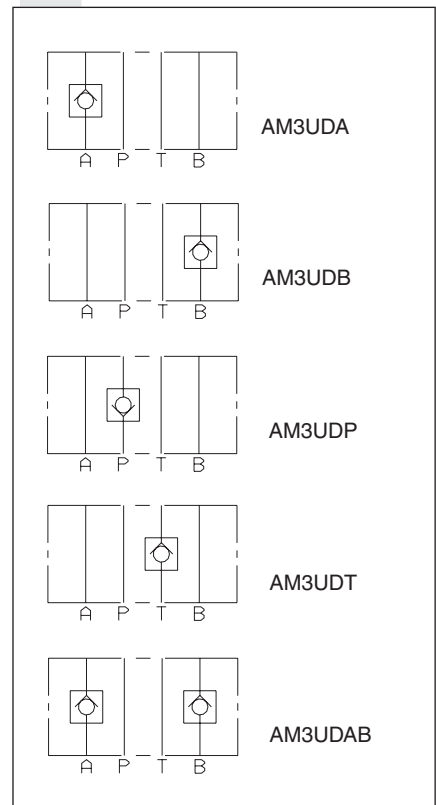
AM	Modular valve
3	CETOP 3/NG6
UD	Direct check valve
**	Control on lines A / B / P / T / AB
*	Minimum opening pressure 1 = 1 bar 5 = 5 bar
**	00 = No variant V1 = Viton
2	Serial No.

PRESSURE DROPS

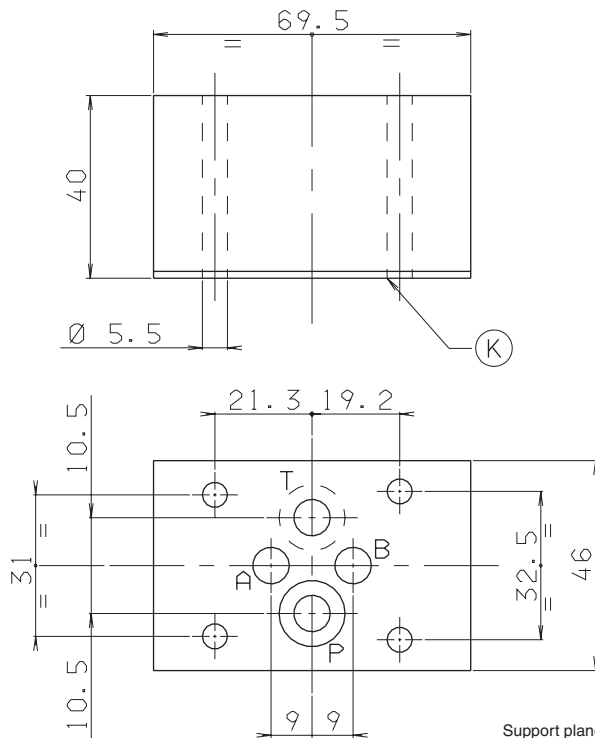


4

HYDRAULIC SYMBOLS



OVERALL DIMENSIONS



K = OR plate

