

AM5CP... MODULAR BACK PRESSURE VALVES CETOP 5



AM5CP...
CMP20... BFP CARTRIDGE CATALOGUE
SCREWS AND STUDS CH. IV PAGE 36

Back pressure valves type AM.5.CP are direct acting damped maximum pressure in-line valves fitted with bypass non-return valves. They are obtainable within the adjustable range 2 ÷ 250 bar.

Adjustment is by means of a grub screw or a plastic knob, on ports A or B (single), or on AB double.

The cartridge is direct acting type CMP.20.

These valves are especially used on vertical working cylinders with dragging loads.

For the minimum permissible setting pressure depending on the spring, see the minimum pressure setting curve

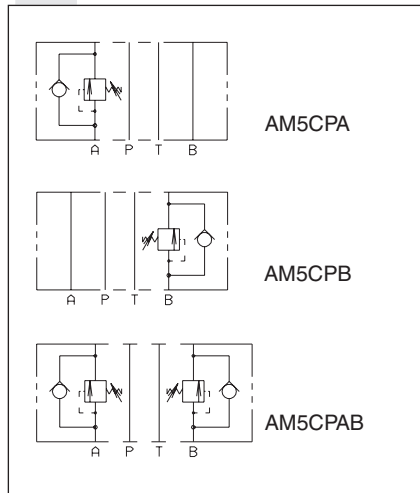
Max. operating pressure	350 bar
Setting ranges:	spring 1 30 bar
	spring 2 140 bar
	spring 3 250 bar
Max. flow	80 l/min
Hydraulic fluids	Mineral oils DIN 51524
Fluid viscosity	10 ÷ 500 mm ² /s
Fluid temperature	-25°C ÷ 75°C
Ambient temperature	-25°C ÷ 60°C
Max. contamination level	class 10 in accordance with NAS 1638 with filter $\beta_{25} \geq 75$
Weight AM.5.CP.A/B...	5,3 Kg
Weight AM.5.CP.AB...	7,2 Kg

ORDERING CODE

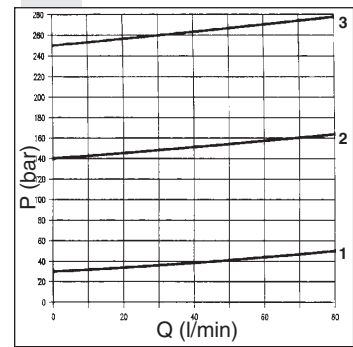
4

AM	Modular valve
5	CETOP 5/NG10
CP	Back pressure valve
**	Control on lines A / B / AB
*	Type of adjustment M = Plastic knob C = Grub screw
*	Setting ranges 1 = max. 30 bar (white spring) 2 = max. 140 bar (yellow spring) 3 = max. 250 bar (green spring)
**	00 = No variant V1 = Viton
3	Serial No.

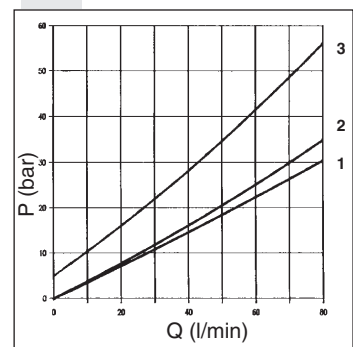
HYDRAULIC SYMBOLS



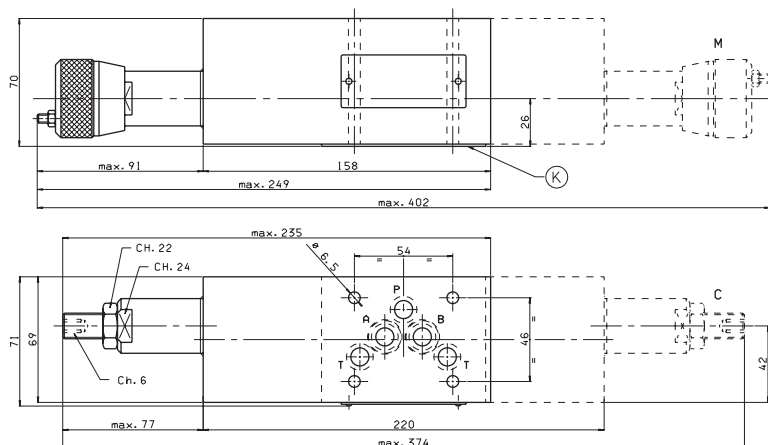
PRESSURE - FLOW RATE



MINIMUM SETTING PRESSURE



OVERALL DIMENSIONS



K = OR plate

Type of adjustment

M Plastic knob

C Grub screw

Support plane specifications

