

## EXCHANGE PROGRAM

Prodotto / Product	Data / Date
Pompa per CIRCUITO APERTO REXROTH <b>A10VO28 SX DFR1/31L-PSC62K02 LS20 TP 280</b>	<b>February 05th 2021</b>



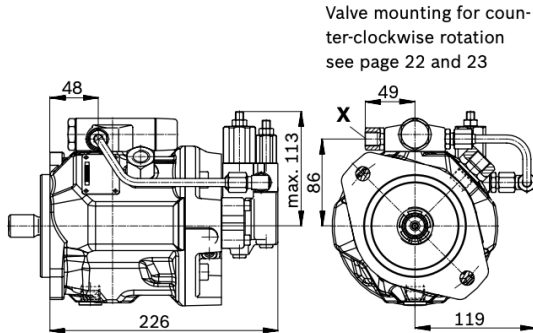
# EXCHANGE PROGRAM

26 **A10V(S)O Series 31** | Axial piston variable pump  
Dimensions, size 28

Dimensions [mm]

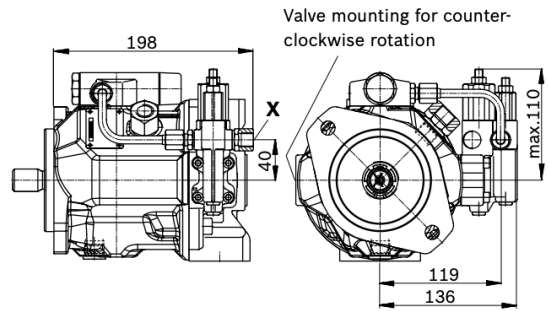
▼ **DFLR – Pressure, flow and power controller**

Port plate 11 (61)



▼ **DFLR – Pressure, flow and power controller**

Port plate 12 (62)

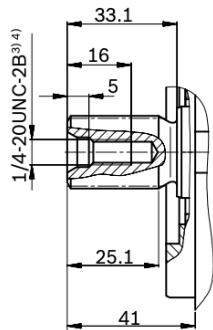


24 **A10V(S)O Series 31** | Axial piston variable pump  
Dimensions, size 28

Dimensions [mm]

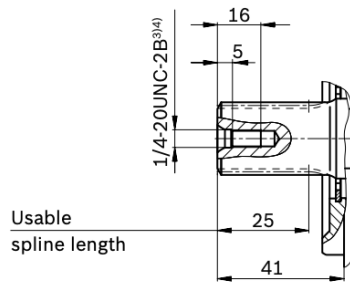
▼ **Splined shaft 7/8 in (SAE J744)**

S – 13T 16/32DP<sup>1)</sup>



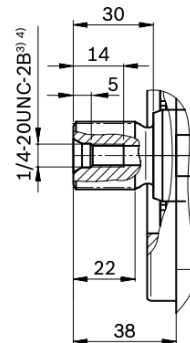
▼ **Splined shaft 7/8 in (SAE J744)**

R – 13T 16/32DP<sup>1)2)</sup>



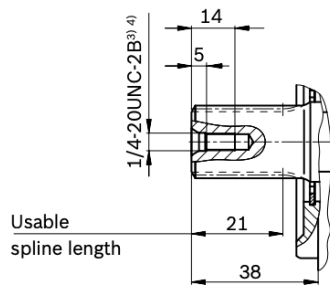
▼ **Splined shaft 3/4 in (SAE J744)**

U – 11T 16/32DP<sup>1)</sup>



▼ **Splined shaft 3/4 in (SAE J744)**

W – 11T 16/32DP<sup>1)2)</sup>



# EXCHANGE PROGRAM

## Dimensions, size 28

DFR / DFR1 / DRSC – Pressure and flow control, hydraulic; clockwise rotation, version: Ports metric

▼ Port plate 12

