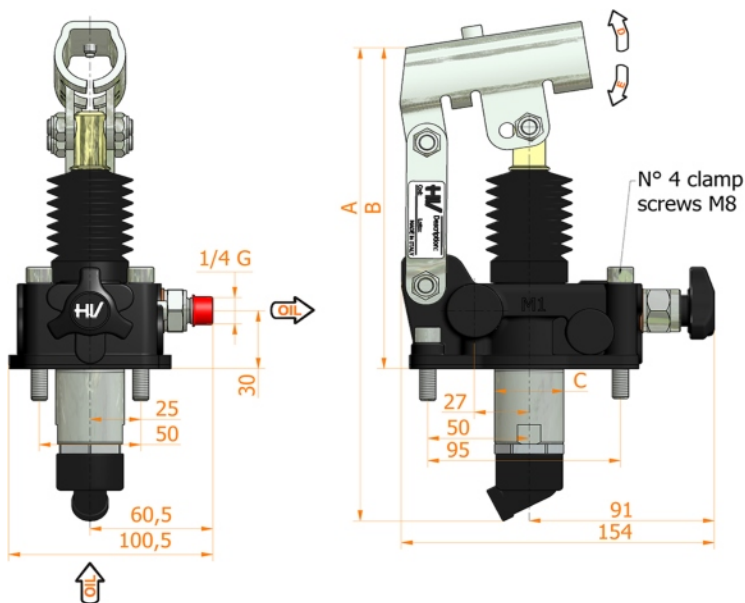
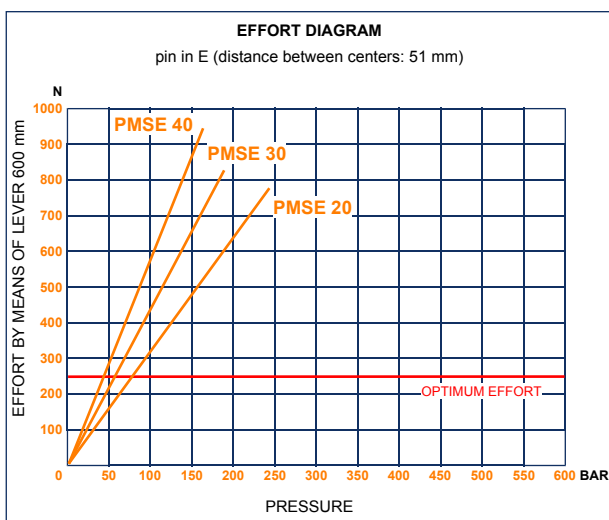
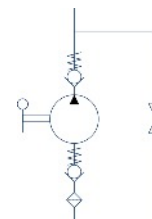


PMSE 20-30-40 s

with release hand knob
single acting hand pump for a single acting cylinder
for fixing to tank



Specifications:

- Cast iron body
- Piston treated with Niploy
- White zinc plated support lever
- Lever connection Ø 27
- White zinc plated external parts
- Standard colour black
- Oil tank mounting kit included

DISPLACEMENT cm ³	A mm	B mm	C mm	D °	E °	ACTUAL DISPLACEMENT cm ³	PRESSURE BAR		MASS KG	CODE WITHOUT BELLOWS	CODE WITH BELLOWS
							OPTIMAL	MAX			
20	249	167	34	35	29	20,527	80	240	3,100	6067.0010	6067.0037
30	252	167	34	38	26	30,262	60	185	3,200	6068.0010	6068.0037
40	252	167	40	38	26	40,290	40	160	3,300	6069.0010	6069.0037