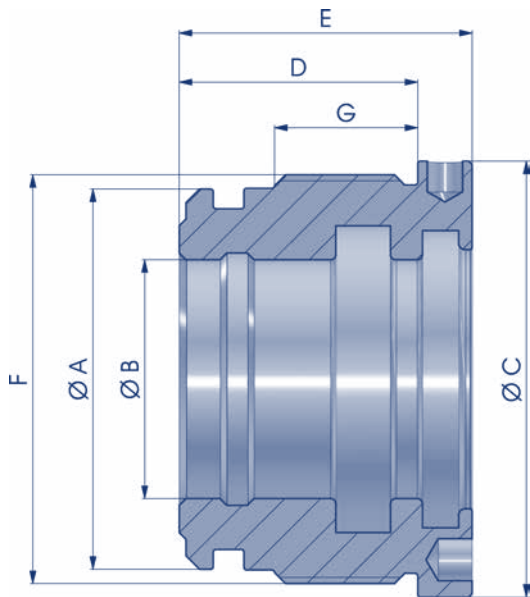




TESTATA
HEAD KOPF
TÊTE CABEZA



NEW	COD.	A	B	C	D	E	F	G	Kg
	NBT112034134IS	1"1/2	3/4"	1.874"	1.500"	1.811"	1"3/4-12UN	0.874"	0,33
	NBT200118214IS	2"	1"1/8	2.510"	1.500"	1.874"	2"1/4-16UN	0.826"	0,54
	NBT212118234IS	2"1/2	1"1/8	2.993"	1.875"	2.240"	2"3/4-16UN	0.905"	1,05
	NBT212114234IS	2"1/2	1"1/4	2.993"	1.875"	2.240"	2"3/4-16UN	0.905"	0,98
	NBT212112234IS	2"1/2	1"1/2	2.993"	1.875"	2.240"	2"3/4-16UN	0.905"	0,82
•	NBT212134234IS	2"1/2	1"3/4	2.993"	1.875"	2.240"	2"3/4-16UN	0.905"	0,67
	NBT300112314IS	3"	1"1/2	3.503"	1.925"	2.299"	3"1/4-16UN	1.181"	1,52
	NBT300134314IS	3"	1"3/4	3.503"	1.925"	2.299"	3"1/4-16UN	1.181"	1,32
	NBT312112334IS	3"1/2	1"1/2	4.015"	2.000"	2.374"	3"3/4-12UN	1.250"	2,28
•	NBT312134334IS	3"1/2	1"3/4	4.015"	2.000"	2.374"	3"3/4-12UN	1.250"	2,10
	NBT312200334IS	3"1/2	2"	4.015"	2.000"	2.374"	3"3/4-12UN	1.250"	1,85
•	NBT312212334IS	3"1/2	2"1/2	4.015"	2.000"	2.374"	3"3/4-12UN	1.250"	1,29
	NBT400200414IS	4"	2"	4.487"	2.751"	3.249"	4"1/4-12UN	1.771"	3,67
	NBT400212414IS	4"	2"1/2	4.487"	2.751"	3.249"	4"1/4-12UN	1.771"	2,90
	NBT500212514IS	5"	2"1/2	5.668"	2.874"	3.374"	5"1/4-12UN	1.968"	6,40
	NBT500234514IS	5"	2"3/4	5.668"	2.874"	3.374"	5"1/4-12UN	1.968"	5,59
	NBT500300514IS	5"	3"	5.668"	2.874"	3.374"	5"1/4-12UN	1.968"	5,13
	NBT600300614IS	6"	3"	6.692"	3.124"	3.687"	6"1/4-12UN	2.164"	9,50
	NBT600312614IS	6"	3"1/2	6.692"	3.124"	3.687"	6"1/4-12UN	2.164"	8,40

Materiale di produzione : Ghisa GG 25
 Production material : Cast iron GG 25
 Werkstoff : Gusseisen GG 25
 Matériel de production : Fonte grise GG 25
 Material de fabricación : Hierro fundido GG 25

Materiale di produzione* : Acciaio 11SMn30 - C45
 Production material* : Steel 11SMn30 - 080M46
 Werkstoff* : Stahl 11SMn30 - CK45
 Matériel de production* : Acier 11SMn30 - C45
 Material de fabricación* : Acero 11SMn30 - C45