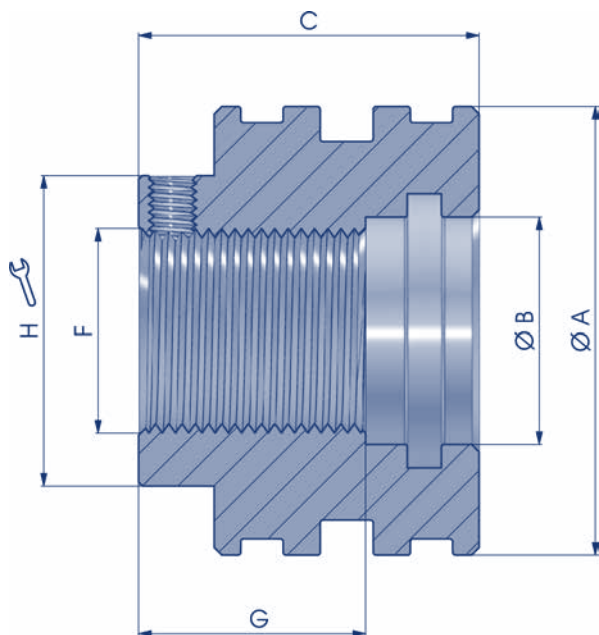




**PISTONE PESANTE  
HEAVY PISTON SCHWERER KOLBEN  
PISTON LOURD PISTÓN PESADO**



NEW	COD.	A	B	C	F	G	H	Kg
	NBPP050021040	50	21	40	M20X1.5	28	36	0,38
	NBPP060025045	60	25	45	M24X2	30	41	0,64
	NBPP060030045	60	30	45	M27X2	30	41	0,58
	NBPP063030045	63	30	45	M27X2	30	41	0,66
	NBPP070040056	70	40	56	M30X2	41	50	0,97
•	NBPP075040056	75	40	56	M30X2	41	50	1,17
	NBPP080040056	80	40	56	M30X2	41	50	1,39
	NBPP090038055	90	38	55	M36X3	40	64	1,78
	NBPP090040056	90	40	56	M36X3	41	64	1,82
	NBPP100035056	100	35	56	M33X2	41	64	2,40
	NBPP100045056	100	45	56	M42X2	41	64	2,15
	NBPP110050070	110	50	70	M48X3	55	75	3,30
	NBPP120045070	120	45	70	M42X2	55	75	4,24
	NBPP120050070	120	50	70	M48X3	55	75	4,03
	NBPP125050070	125	51	70	M48X3	55	75	4,22
•	NBPP130050075	130	50	75	M48X3	57	75	5,06
	NBPP140050075	140	50	75	M48X3	57	75	5,99
	NBPP150056080	150	56	80	M52X3	60	80	7,31
	NBPP160056080	160	56	80	M52X3	60	80	8,46
	NBPP180085090	180	85	90	M80X2	65	110	10,81
	NBPP200085090	200	85	90	M80X2	65	110	14,55
	NBPP220085090	220	85	90	M80X2	65	110	18,01
	NBPP250104100	250	104	100	M98X2	75	135	24,80

Materiale di produzione : Acciaio C45  
 Production material : Steel 080M46  
 Werkstoff : Stahl CK45  
 Matériel de production : Acier C45  
 Material de fabricación : Acero C45

\* Materiale di produzione : Acciaio 11SMn30 - C45  
 \* Production material : Steel 11SMn30 - 080M46  
 \* Werkstoff : Stahl 11SMn30 - CK45  
 \* Matériel de production : Acier 11SMn30 - C45  
 \* Material de fabricación : Acero 11SMn30 - C45