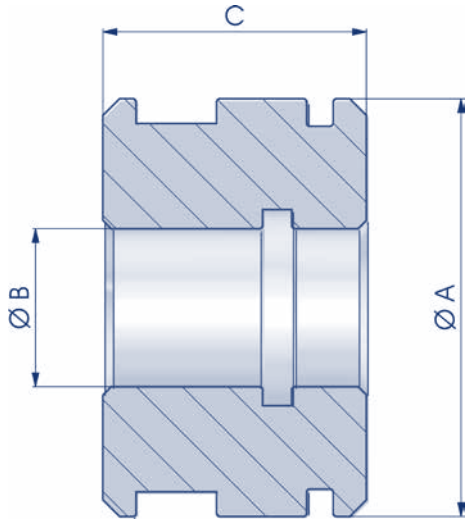




PISTONE TIPO IT
 PISTON TYPE IT KOLBEN TYP IT
 PISTON TYPE IT PISTÓN TIPO IT



NEW	COD.	A	B	C	Kg
•	NBP2000751SIT	2"	0,751"	1,250"	0,36
•	NBP2120751SIT	2"1/2	0,751"	1,250"	0,63
•	NBP3000876SIT	3"	0,876"	1,250"	0,92
•	NBP3121001SIT	3"1/2	1,001"	1,250"	1,28
•	NBP4001001SIT	4"	1,001"	1,250"	1,72
•	NBP4121126SIT	4"1/2	1,126"	1,500"	2,63
•	NBP5001126SIT	5"	1,126"	1,500"	3,34
•	NBP6001126SIT	6"	1,126"	1,500"	4,79

Materiale di produzione : Acciaio 11SMn30 - C45
 Production material : Steel 11SMn30 - 080M46
 Werkstoff : Stahl 11SMn30 - CK45
 Matériel de production : Acier 11SMn30 - C45
 Material de fabricación : Acero 11SMn30 - C45