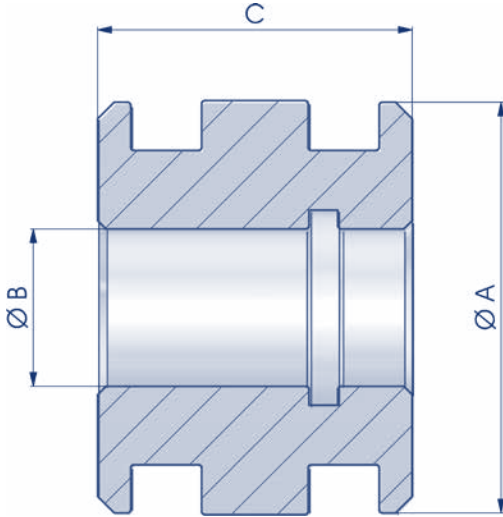




PISTONE TIPO TH
PISTON TYPE TH KOLBEN TYP TH
PISTON TYPE TH PISTÓN TIPO TH



NEW	COD.	A	B	C	Kg
•	NBP2000751ISTH	2"	0,751"	1,500"	0,37
•	NBP2120751ISTH	2"1/2	0,751"	1,500"	0,67
•	NBP3001001ISTH	3"	1,001"	1,750"	1,14
•	NBP31211261ISTH	3"1/2	1,126"	1,750"	1,62
•	NBP4001251ISTH	4"	1,251"	1,750"	2,18
•	NBP4121251ISTH	4"1/2	1,251"	1,750"	2,87
•	NBP5001251ISTH	5"	1,251"	2,000"	4,23
•	NBP5121501ISTH	5"1/2	1,501"	2,000"	5,05
•	NBP6001501ISTH	6"	1,501"	2,000"	6,18

Materiale di produzione : Acciaio 11SMn30 - C45
Production material : Steel 11SMn30 - 080M46
Werkstoff : Stahl 11SMn30 - CK45
Matériel de production : Acier 11SMn30 - C45
Material de fabricación : Acero 11SMn30 - C45

Materiale di produzione : Acciaio S355JR - ASTM A105
Production material : Steel S355JR - ASTM A105
Werkstoff : Stahl S355JR - ASTM A105
Matériel de production : Acier S355JR - ASTM A105
Material de fabricación : Acero S355JR - ASTM A105