



100
kN

DOUBLE ROLLER/TAPPER BEARING

HYDRAULIC INPUTS FROM OPPOSITE SIDES

-80
kN

180 ϕ 35
mm

R
1/2" BSP

R
250 bar

GO/GC
1/2" BSP

GO
250 bar

GC
300 bar

50
kN

-40
kN

2800
nm

64
kg

30
l/min

Hydraulic rotator FHR 10FD2 is ideal for professional use in forestry, agriculture, road and building construction, recycling industry, general cargo and material handling.

Rotator's upper mount is applied in FORK form factor of the knuckle joint. Robust and tough built to withstand even overloads. The fork width (between fork ends) is common standard width 80mm and the knuckle pin diameter 35mm.

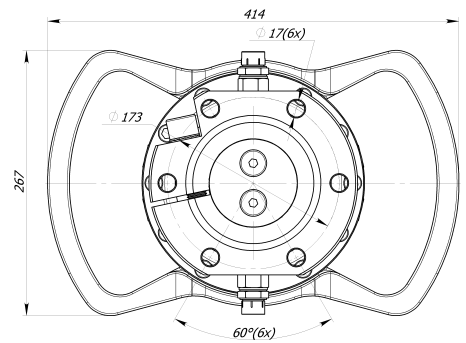
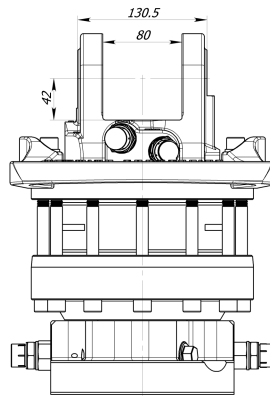
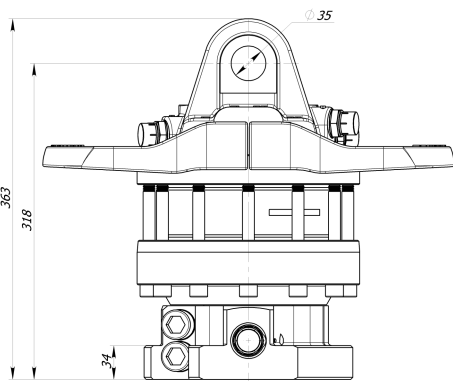


Rotator lower mount is applied in FLANGE form factor to mount direct on grapple / tool surface by fixing with screws

173
 ϕ 173
17(x6)
mm

GO/GC
1/2" BSP

GO/GC
1/2" BSP



On request by special conditions there are metric nipples available for rotator FHR 10FD2



Hydraulic rotator FHR 10FD2 is ideal for professional use in forestry, agriculture, road and building construction, recycling industry, general cargo and material handling.



Rotator's upper mount is applied in FORK form factor of the knuckle joint. Robust and tough built to withstand even overloads. The fork width (between fork ends) is common standard width 80mm and the knuckle pin diameter 35mm.



Rotator lower mount is applied in FLANGE form factor to mount direct on grapple / tool surface by fixing with screws



Rotator FHR 10FD2 based on reliable vane type hydraulic motor which delivers torque up to 2800Nm at 25MPa.



Fomiko Hydraulics rotator FHR 10FD2 is equipped with double bearings to withstand both tensional and pushing loads.



FHR 10FD2 is designed with opposite hydraulic channels, to ease the hose replacement in case of rupture.



Fomiko rotator FHR 10FD2 is compatible with FHL 02 series links.



Rotator for shipping is packed in compact solid cardboard box with dimensions 400x250x250mm.



We providing TWO year warranty for this rotator.

On request by special conditions there are metric nipples available for rotator FHR 10FD2

FORESTRY



GENERAL CARGO



AGRICULTURE



CONSTRUCTION



RECYCLING

