



**30**  
kN

**FORGED STEEL IN MY BODY**

**15**  
kN

**900**  
nm

**24**  
kg

**20**  
l/min

**160**  $\varnothing$ 25  
mm

**3/8"**  
BSP

**250**  
bar

**3/8"**  
BSP

**200**  
bar

**300**  
bar

Rotator's upper mount is applied in EYE form factor of the knuckle joint. Robust and tough built to withstand even overloads. The wide of eye is common standard width 60mm and the knuckle pin diameter 25mm.

Hydraulic rotator FHR 3.000SF is cost-effective solution generally for seasonal use in forestry, agriculture, road and building construction, general cargo and material handling.



FHL 01-A/B-60/25

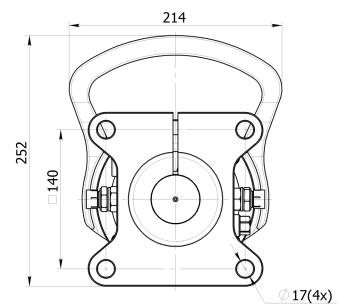
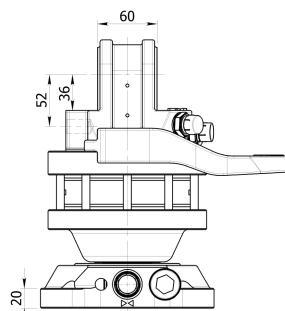
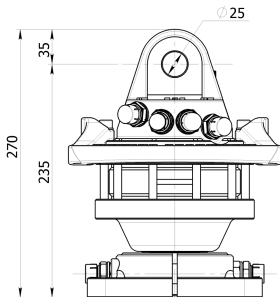


FHL 01B-A/B-60/25

Rotator lower mount is applied in SQUARE shape FLANGE form factor to mount direct on grapple / tool surface by fixing with screws

**140**  
 $\varnothing$ 17(x4)  
mm

**GO/GC**  
**3/8"**  
BSP



On request by special conditions there are metric nipples available for rotator FHR 3.000SF

FORESTRY GENERAL CARGO AGRICULTURE CONSTRUCTION



Hydraulic rotator FHR 3.000SF is cost-effective solution generally for seasonal use in forestry, agriculture, road and building construction, general cargo and material handling.



Rotator's upper mount is applied in EYE form factor of the knuckle joint. Robust and tough built to withstand even overloads. The wide of eye is common standard width 60mm and the knuckle pin diameter 25mm.



Rotator lower mount is applied in SQUARE shape FLANGE form factor to mount direct on grapple / tool surface by fixing with screws



Rotator FHR 3.000SF based on reliable vane type hydraulic motor which delivers torque up to 900Nm at 25MPa.



Some parts in rotator are built from shock resistant and deformation resistant forged steel.



Formoko rotator FHR 3.000SF is compatible with FHL 01-A/B-60/25 and FHL 01B-A/B-60/25 series links.



Rotator for shipping is packed in compact solid cardboard box with dimensions 340x230x240mm.



We providing TWO year warranty for this rotator.

On request by special conditions there are metric nipples available for rotator FHR 3.000SF

FORESTRY



GENERAL CARGO



AGRICULTURE



CONSTRUCTION

