



60
kN



-50
kN

30
kN

-25
kN

1850
nm

45
kg

25
l/min

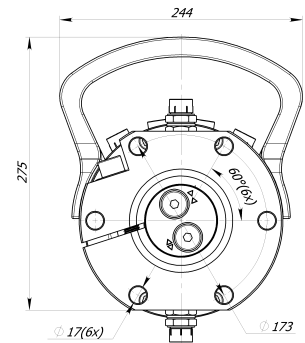
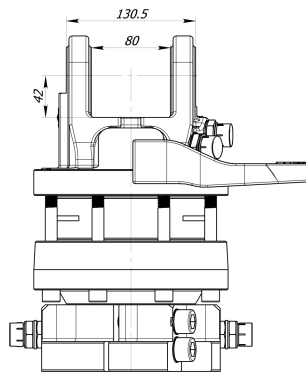
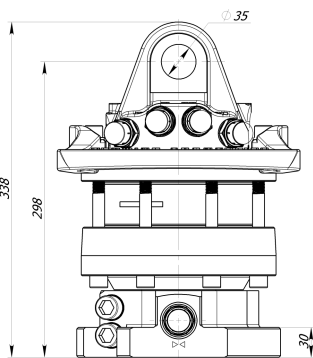


Hydraulic rotator FHR 6FD1 is ideal for professional use in forestry, agriculture, road and building construction, recycling industry, general cargo and material handling.

Rotator's upper mount is applied in FORK form factor of the knuckle joint. Robust and tough built to withstand even overloads. The fork width (between fork ends) is common standard width 80mm and the knuckle pin diameter 35mm.



Rotator lower mount is applied in FLANGE form factor to mount direct on grapple / tool surface by fixing with screws



On request by special conditions there are metric nipples available for rotator FHR 6FD1



Hydraulic rotator FHR 6FD1 is ideal for professional use in forestry, agriculture, road and building construction, recycling industry, general cargo and material handling.



Rotator's upper mount is applied in FORK form factor of the knuckle joint. Robust and tough built to withstand even overloads. The fork width (between fork ends) is common standard width 80mm and the knuckle pin diameter 35mm.



Rotator lower mount is applied in FLANGE form factor to mount direct on grapple / tool surface by fixing with screws



Rotator FHR 6FD1 based on reliable vane type hydraulic motor which delivers torque up to 1850Nm at 25MPa.



Fomiko Hydraulics rotator FHR 6FD1 is equipped with double bearings to withstand both tensional and pushing loads.



Fomoko rotator FHR 6FD1 is compatible with FHL 02 series links.



Rotator for shipping is packed in compact solid cardboard box with dimensions 400x250x250mm.



We providing TWO year warranty for this rotator.

On request by special conditions there are metric nipples available for rotator FHR 6FD1

FORESTRY GENERAL CARGO AGRICULTURE CONSTRUCTION RECYCLING

