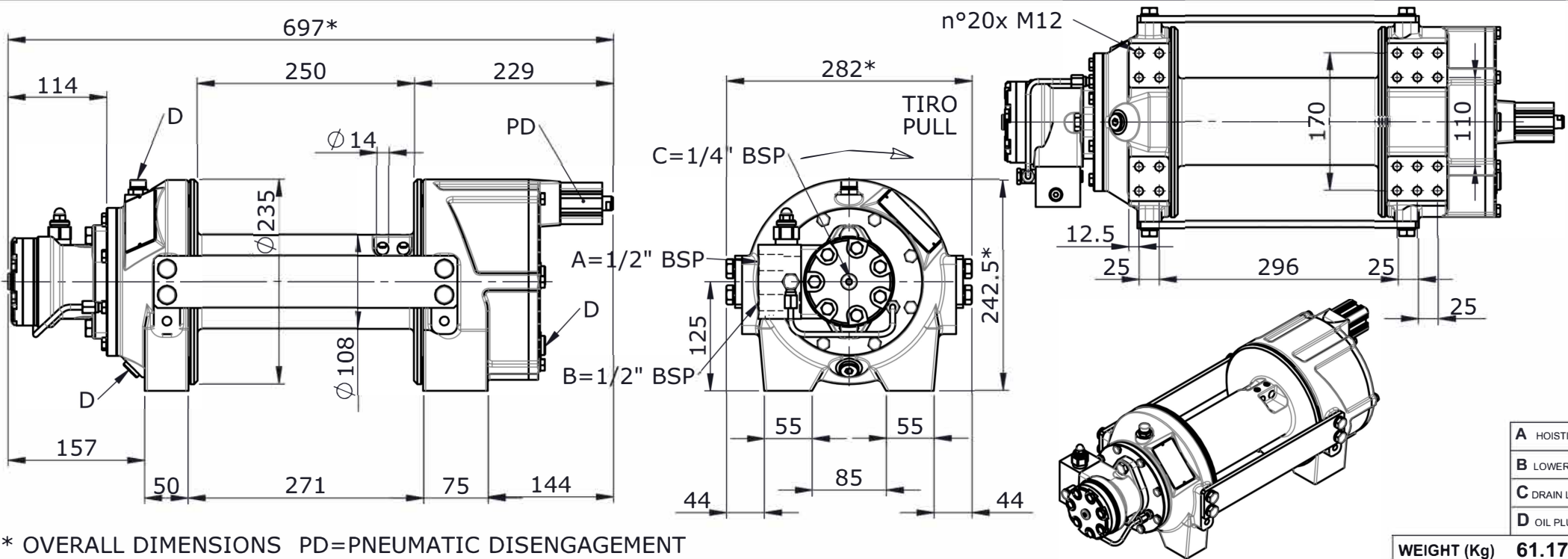


TECHNICAL DATA SHEET

MODEL: RECOVERY WINCH TMT 57-P

CODE: 9021026

Doc. N° M-27
Pag. 1 di 1
Rev.N° 0
Data Rev. 01/07/14



* OVERALL DIMENSIONS PD=PNEUMATIC DISENGAGEMENT

- A HOISTING
- B LOWERING
- C DRAIN LINE
- D OIL PLUG

WEIGHT (Kg) **61.17**

Model: TMT 57-P Code: 9.02.10.26 Class: M1L1.T2 (FEM 1.001/1998) with drum rotation 25 rpm.

MOTOR DATA		WORKING FLOW RATE (L/min)	WORKING PRESSURE (MPa)	FLOW RATE (L/min)	MAXIMUM ALLOWED BACK PRESSURE IN HYDRAULIC RETURN LINE (MPa)	BRAKE TYPE	Braking Static Torque (daNm)	GEAR DATA		
CYL (cc)	100	50	13.5	Min 10 Max 50	0.5	Multi-disc negative brake	48	REDUCTION - RATIO		1:28.9
TYPE	ORBIT		STARTING PRESSURE					INTERNAL LUBRICATION - OIL (Kg)		2
MODEL	PK		16.0							

ROPE LAYER	N°	1	2	3	4	5			
LINE PULL (With 13.5 MPa)	(daN)	5900	4980	4300	3800	FULL			
LINE SPEED (With 50 L/min)	(m/min)	6.4	7.6	8.7	9.9	11.1			
ROPE CAPACITY									
ROPE Ø 10 mm	(m)	8	19	31	44	59			
ROPE Ø 11 mm		8	17	28	41	55			
ROPE Ø 12 mm		7	16	26	38				

IMPORTANT

THIS WINCH IS NOT INTENDED FOR DEVICES USED FOR PERSONNEL LIFTING

Use ropes with a correct strenght.
A minimum of 3 wraps of rope must be left on drum for security.
The rated line pull are for the winch only.
We reserve the right to make changes without notice.

DATI ARGANO
DA 22186.0