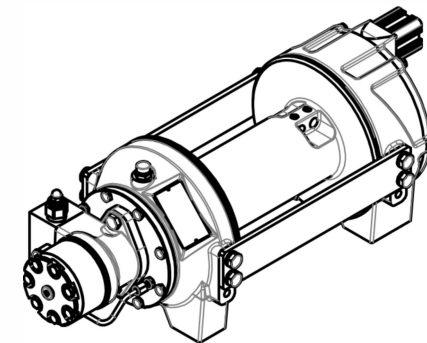
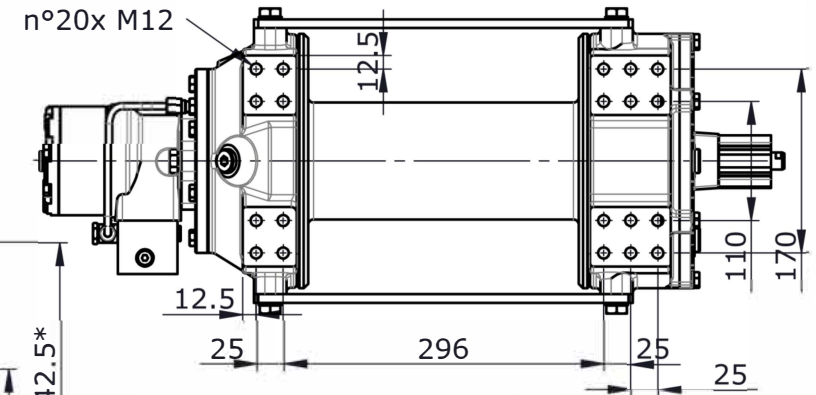
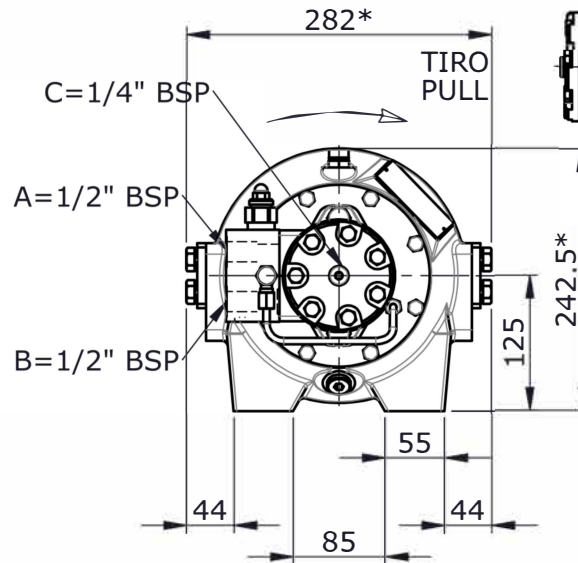
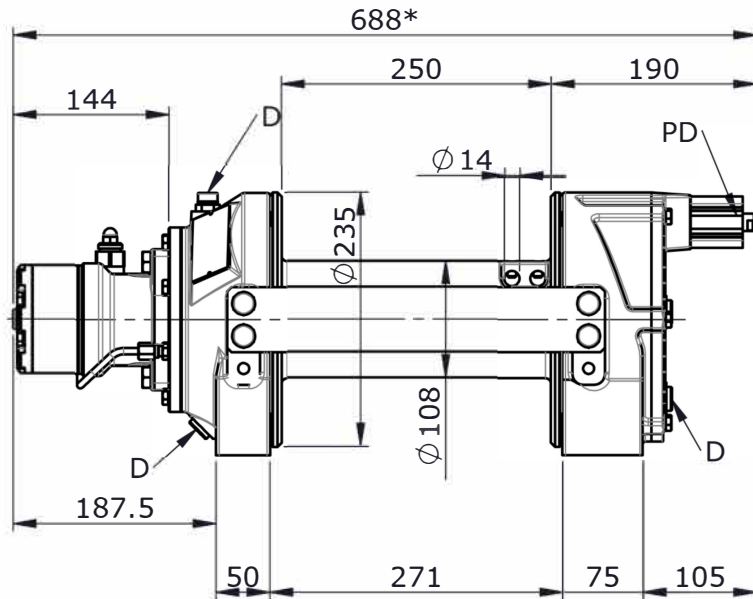


TECHNICAL DATA SHEET

MODEL: RECOVERY WINCH TMT 37-P
CODE: 9021022

Doc. N° **M-27**
Pag. 1 di 1
Rev.N° 0
Data Rev. 01/07/14



- A HOISTING
- B LOWERING
- C DRAIN LINE
- D OIL PLUG

* OVERALL DIMENSIONS PD=PNEUMATIC DISENGAGEMENT

WEIGHT (Kg) **56.5**

Model: TMT 37-P Code: 9.02.10.22 Class: M1 L1.T2 (FEM 1.001/1998) with drum rotation 25 rpm.

MOTOR DATA		WORKING FLOW RATE (L/min)	WORKING PRESSURE (MPa)	FLOW RATE (L/min)	MAXIMUM ALLOWED BACK PRESSURE IN HYDRAULIC RETURN LINE (MPa)	BRAKE TYPE	Braking Static Torque (daNm)	GEAR DATA		
CYL (cc)	250	50	16.0	Min 10 Max 50	0.5	Multi-disc negative brake	48	REDUCTION - RATIO		1:5.6
TYPE	ORBIT		STARTING PRESSURE					INTERNAL LUBRICATION - OIL (Kg)		2
MODEL	PK		17.5							

ROPE LAYER	N°	1	2	3	4	5			
LINE PULL (With 16 MPa)	(daN)	3700	3160	2760	2450	FULL			
LINE SPEED (With 50 L/min)	(m/min)	11.6	13.6	15.5	17.5	19.5			
ROPE CAPACITY									
ROPE Ø 9 mm	(m)	9	21	34	48	64			
ROPE Ø 10 mm		8	19	31	44	59			
ROPE Ø 11 mm		8	17	28	41	55			

IMPORTANT

THIS WINCH IS NOT INTENDED FOR DEVICES USED FOR PERSONNEL LIFTING

Use ropes with a correct strenght.
A minimum of 3 wraps of rope must be left on drum for security.
The rated line pull are for the winch only.
We reserve the right to make changes without notice.

DATI ARGANO
DA 22184.0