

# M45

MONOBLOCK VALVE



TECHNICAL CATALOGUE

A member of



**walvoil**  
FLUID POWER EMOTION

**1<sup>st</sup> edition M45.01**

---

*This catalogue shows the product in the most standard configurations.  
Please contact our Sales Dpt. for more detailed information or special requests.*

**WARNING!**

*All specifications of this catalogue refer to the standard product at this date.  
Walvoil, oriented to a continuous improvement, reserves the right to  
discontinue, modify or revise the specifications, without notice.*

**WALVOIL IS NOT RESPONSIBLE FOR ANY DAMAGE CAUSED BY AN  
INCORRECT USE OF THE PRODUCT.**



### Applications

A big number of options and solutions make M45 a very flexible product; it can be easily adapted to many different applications always fitting the specific needs (mobile cranes, agricultural machines, mini skid loaders, mini dumpers, fork lift truck, etc...).

The valve is available with manual, cable, direct electric, hydraulic remote, pneumatic, electrohydraulic and electropneumatic controls. Floating is possible on standard body. Regenerative functions are possible with dedicated spools and bodies. Numerous configurations and solutions are possible.

Following options are available:

- special versions with left inlet
- direct electric control push-push type
- special circuits for stabilizers applications
- fork lift truck set up with potentiometer and microswitches





## QUICK REFERENCE GUIDE

GENERAL SPECIFICATION	M45	M50	TR55
Working sections number	1 - 6	1 - 7	1 - 7
<b>CIRCUIT</b>			
Parallel	•	•	•
Tandem		•	
Parallel circuit stroke (mm)	5	5,5	5
Float spool extra stroke (mm)	4	4,5	4,5
Spools pitch (mm)	35	35	36
<b>RATED FLOW</b>			
Max recommended flow rate (l/min)	45	50	50
Max recommended flow rate (GPM)	12	15	15
<b>RATED PRESSURE</b>			
Max working pressure (bar)	350	350	350
Max working pressure (PSI)	5000	5000	5000

OPTION CHART	M45	M50	TR55
Direct acting pressure relief valve	•	•	•
Clamping valve			(•)
Externally piloted valve	(•)	(•)	
Solenoid dump valve (12 Vdc)	(•)	(•)	
Solenoid dump valve (24 Vdc)	(•)	(•)	
<b>SPOOL ACTUATION</b>			
Manual control	•	•	•
Without lever	•	•	•
90° joystick control	•	•	•
Hydraulic control		•	•
Direct electric control (12-24 Vdc)		•	
<b>SPOOL RETURN ACTION</b>			
Return spring	•	•	•
Detent in A - in B - in A/B	•	•	•
Detent in 4 <sup>th</sup> position	•	•	•
Arrangement for dual control	•	•	•
Hydraulic load limit	•	•	•
Pneumatic control ON - OFF	•	•	•
Proportional pneumatic control	•	•	•
Electrical load limit	•	•	•
Electrohydraulic control ON-OFF (12-24 Vdc)	•	•	•
Electrohydraulic control PROP. (12-24 Vdc)	•	•	•
Electropneumatic control (12-24 Vdc)	•	•	•
<b>AUXILIARY VALVES</b>			
Valves on port		•	•

(•) = the application requires special machining in the body

**GENERAL INDEX**

<b>4</b>	<b>General specifications</b> Standard working conditions Fluid options
<b>5</b>	<b>Order example</b> Standard thread Painting Hydraulic circuit
<b>7</b>	<b>Dimensions</b>
<b>8</b>	<b>Typical curves</b> Pressure drop (P - T) Pressure drop (P - A/B) Pressure drop (A/B - T) Direct relief valve curve
<b>9</b>	<b>Inlet arrangement</b> Inlet side classification Valve identification Valve arrangement
<b>10</b>	<b>Work section arrangement</b> Spool identification Spool actuation classification Spool return action classification - Spring load values
<b>21</b>	<b>Outlet arrangement</b> Order example - version 1 outlet Order example - HPCO version outlet Outlet with single tank classification Outlet with two tanks classification Carry-over connection (HPCO)
<b>25</b>	<b>M45 Spare parts list</b>
<b>27</b>	<b>Installation</b>
<b>29</b>	<b>General conditions and patents</b>

The specifications detailed in this catalogue show standard products. Special applications are available to order subject to contacting our Engineering Department for an estimate. The data and specifications indicated are to be considered a guide only and Hydrocontrol S.p.A. reserves the right to introduce improvements and modifications without prior notice. Hydrocontrol is not responsible for any damage caused by an incorrect use of the product.



## GENERAL SPECIFICATIONS

## Standard working conditions

Description	Value
Ambient operating temperature range	-40°C / +60°C
Kinematic viscosity range	10 ÷ 300 cSt
Max contamination level	9 (NAS 1638) - 20/18/15 (ISO 4406:1999)
Recommended filtration level	$\beta_{10} > 75$ (ISO 16889:2008)
Internal filter (on electroproportional valves pilot line)	30 $\mu\text{m}$

All information and diagrams in this catalogue refer to a mineral base oil VG46 at 50°C temperature (32 cSt kinematic viscosity)

## Fluid options

Types of fluid (according to ISO 6743/4) Oil and Solutions	Temperature (°C)		Compatible gasket
	min	max	
Mineral Oil HL, HM (or HLP acc. to DIN 51524)	-25	+80	NBR
Oil in water emulsions HFA	+5	+55	NBR
Water in oil emulsions HFB	+5	+55	NBR
Polyglycol-based aqueous solution HFC	-10	+60	NBR

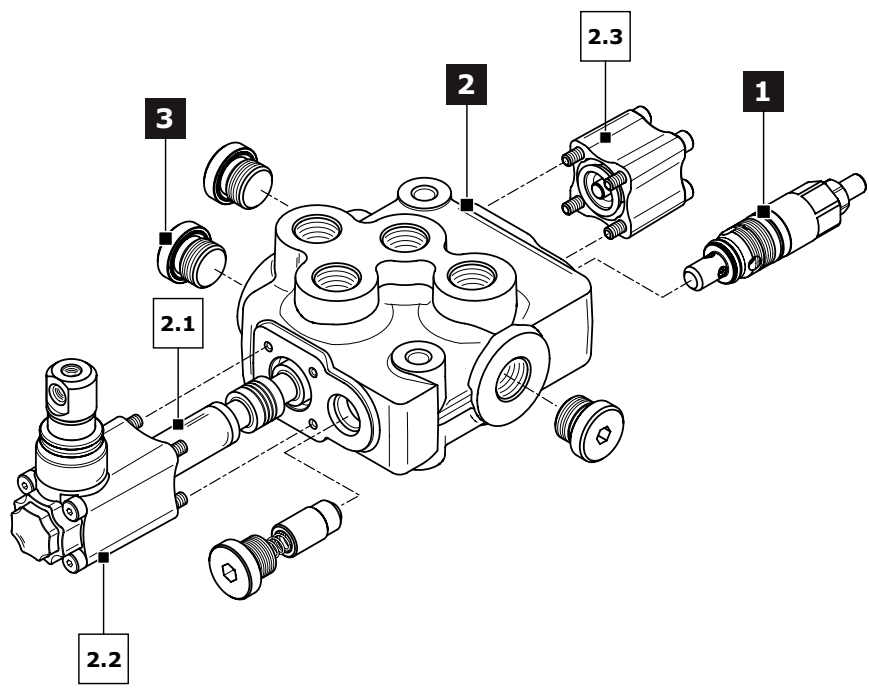
For special applications and different fluids, please call our Technical Department.



**ORDER EXAMPLE**

<b>M45/1:</b>	<b>IR 301 150</b>	<b>W001A H001 F001A</b>	<b>MJ A G03</b>
<p><b>TYPE:</b> _____</p> <p><b>M45:</b> product type  <b>/1:</b> working section number</p> <p><b>1) INLET ARRANGEMENT: page 9</b> _____</p> <p><b>IR 301</b> inlet side and valve type  <b>150</b> setting (bar)</p> <p><b>2) WORK SECTION ARRANGEMENT: page 10</b> _____</p> <p>2.1 <b>W001A</b> spool type                  2.2 <b>H001</b> spool actuation type                  2.3 <b>F001A</b> spool return action type</p> <p><b>3) OUTLET ARRANGEMENT: page 21</b> _____</p> <p><b>MJ</b> outlet type  <b>A G03</b> outlet position and available thread type</p>			

Ordering row 2 must be repeated for every work section



**Standard thread**

The connection ports size is indicated by an ordering code common for all Hydrocontrol products. Following table shows all available connections; for ordering code refer to table on page 28.

Ports	BSP (ISO - 228)	Code	UN-UNF (ISO - 725)	Code
Inlet Port (P)	G 3/8	<b>G03</b>	3/4" - 16 UNF	<b>U03</b>
Ports (A - B)	G 3/8	<b>G03</b>	3/4" - 16 UNF	<b>U03</b>
Outlet (T) - Carry over (HPCO)	G 3/8	<b>G03</b>	3/4" - 16 UNF	<b>U03</b>
Hydraulic Pilot	G 1/4	<b>G02</b>	9/16" - 18 UNF	<b>U02</b>
Pneumatic Pilot	G 1/8	-	NPTF 1/8-27	-



### Painting

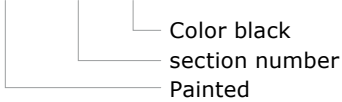
On request, all Hydrocontrol valves can be delivered painted (RAL 9005 black primer).

**Order example of M45/1 painted:**

M45/1  
IR 301 150  
W001A H001  
MJ A G03  
**P006/1 N10**

The painting is indicated with the following value:

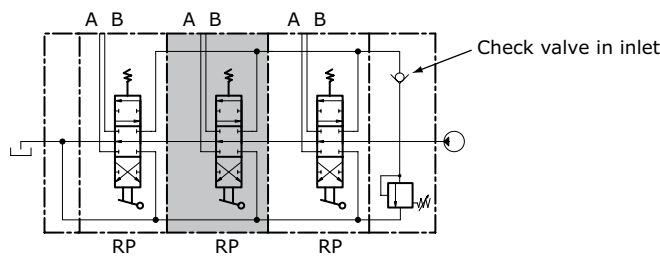
**P006 - /1 - N10**



### Hydraulic circuit

**Parallel circuit**

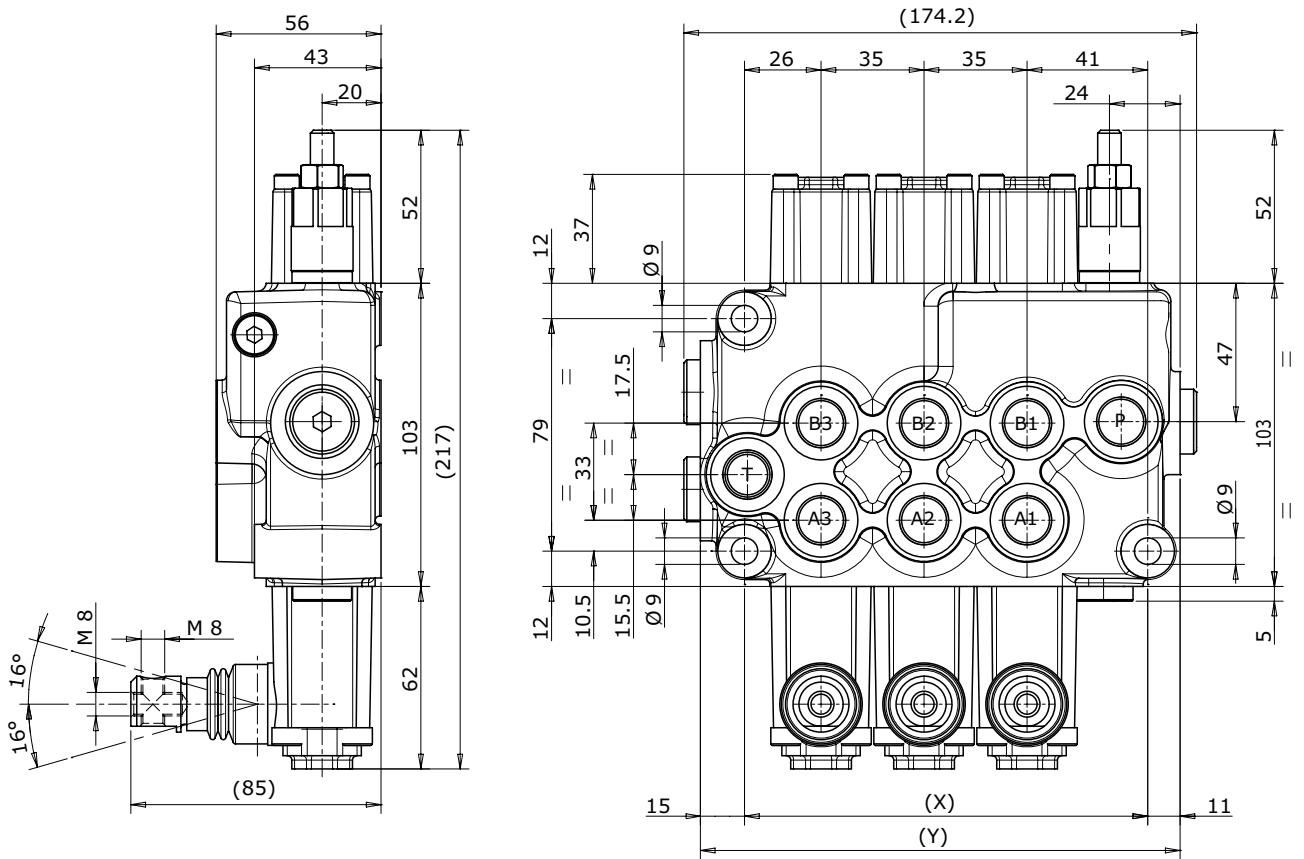
When the spool is operated it intercepts the switch gallery by diverting the flow of oil to service port A or B. If two or more spools are actuated at the same time, the oil will power the service port that has the lower load by selecting the path with the least resistance; by throttling the spools, the flow of oil can be divided between two or more service ports.







**DIMENSIONS**



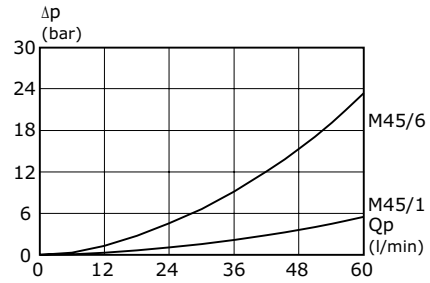
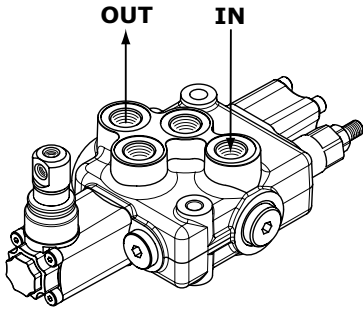
TYPE	M45/1	M45/2	M45/3	M45/4	M45/5	M45/6
<b>X (mm)</b>	67	102	137	172	207	242
<b>Y (mm)</b>	93	128	163	198	233	268
<b>Weights (kg)</b>	2,70	4,10	5,50	6,90	8,30	9,70



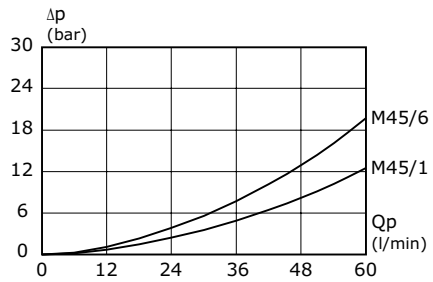
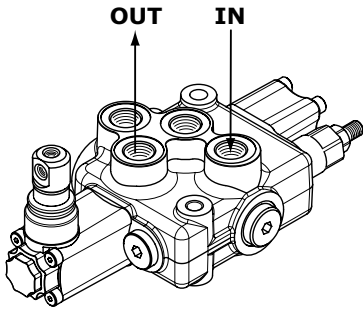
TYPICAL CURVES

Indicated values have been tested with standard sectional valve and W001A spool.

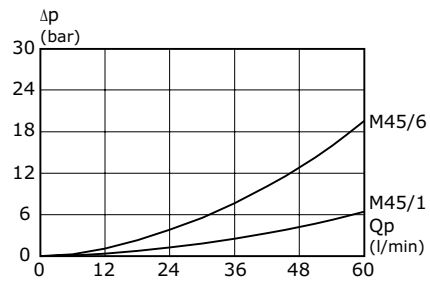
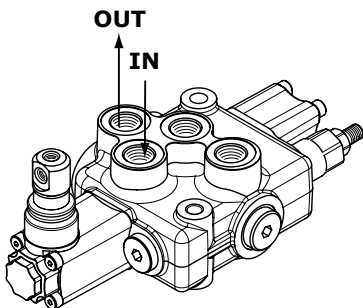
Pressure drop (P - T)



Pressure drop (P - A/B)

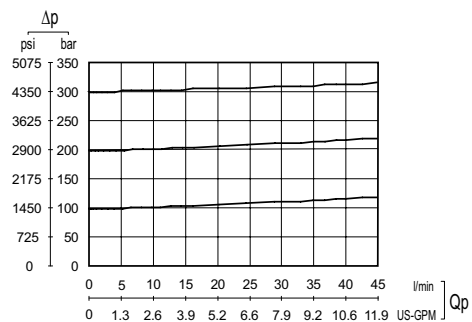


Pressure drop (A/B - T)



Direct relief valve curve

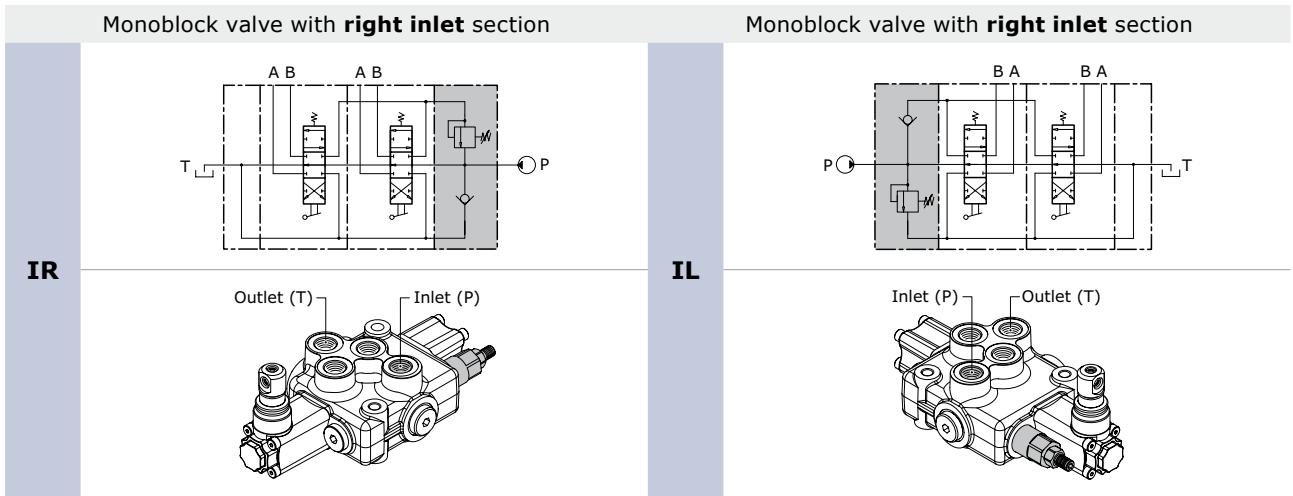
Setting ranges	
type	pressure (bar)
A	10 - 40
B	41 - 70
C	71 - 130
D	131 - 210
E	211 - 350





**INLET ARRANGEMENT**

**Inlet side classification**



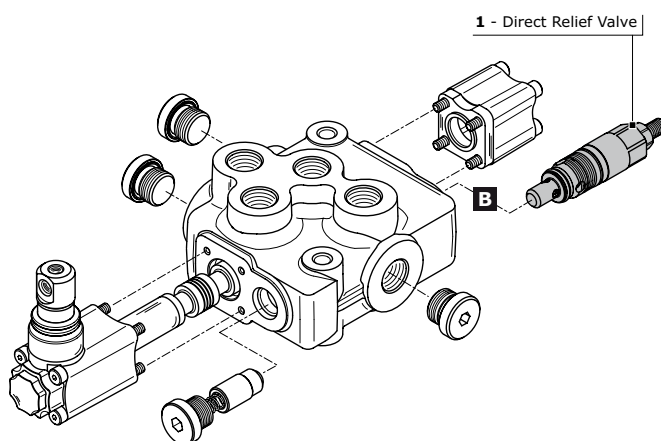
**Valve identification**

type	schema	layout	description	type	schema	layout	description
1			Direct acting pressure relief valve	3			Relief valve plugged

**NOTE:**

Monoblock valves can be equipped with externally piloted valve, solenoid dump valve (12-24 Vdc), clamping valve. These applications needs a special valve body. Ask our commercial dept. for further informations.

**Valve arrangement**



**Combination valve example: 301 = 1B**

- 301** Combination valve
- 1B** Pressure relief valve in port B

**The code identifies:**  
with a number, the type of valve; with a letter its position on the inlet section.

(A) = spool action side (B) = spool return action side

**NOTE:**  
when ordering a main relief valve it is necessary to specify setting (example 150 bar).

valves combination	M45 - IR	M45 - IL
1A <b>201</b>		•
3A <b>203</b>		•
1B <b>301</b>	•	
3B <b>303</b>	•	



WORK SECTION ARRANGEMENT

Spool identification

order example of spool: **W001 A J10**

**W001** spool schema 3 positions double-acting  
**A** spool type spool with 45 l/min inlet flow  
**J10** restricted service ports restriction on diameter (0,10 mm in A and B)

<b>W001</b>	3 positions double-acting	
<b>W002</b>	3 positions double-acting A and B to tank	
<b>W003</b>	3 positions double-acting A to tank B blocked	
<b>W004</b>	3 positions double-acting A blocked B to tank	
<b>W005</b>	3 positions single - acting on A	
<b>W006</b>	3 positions single - acting on B	
<b>W012</b>	4 positions double-acting with float in the 4 <sup>th</sup> position	

spools with restricted service ports				
code	circuit	restriction on diameter (mm)	section (mm <sup>2</sup> )	hydraulic schema
<b>J10</b>	A-B IN T	0,10	2,66	
<b>K10</b>	A IN T	0,10	2,66	
<b>Y10</b>	B IN T	0,10	2,66	



Depending on the inlet flow, it is possible to choose appropriate spool sizes.  
Spools type "E" are available with direct electric control H021, H022 and H024.

CODE	SPOOL TYPE AVAILABLE			
	spool 45 l/min inlet flow	spool 30 l/min inlet flow	spool 15 l/min inlet flow	Solenoid operated spool
	A	B	C	E
<b>W001</b>	W001A	W001B	W001C	W001E
<b>W002</b>	W002A	W002B	W002C	W002E
<b>W003</b>	W003A	W003A	W003C	
<b>W004</b>	W004A	W004A	W004C	
<b>W005</b>	W005A	W005B		
<b>W006</b>	W006A	W006B		
<b>W012</b>	W012A			

**NOTE:**

- W012, W013, spools need a special machining on the valve body.
- Float spool (W012) need special detent kit (F005).
- Different spools are available on request.

Plaease contact our Sales department for more information.



Spool actuation classification

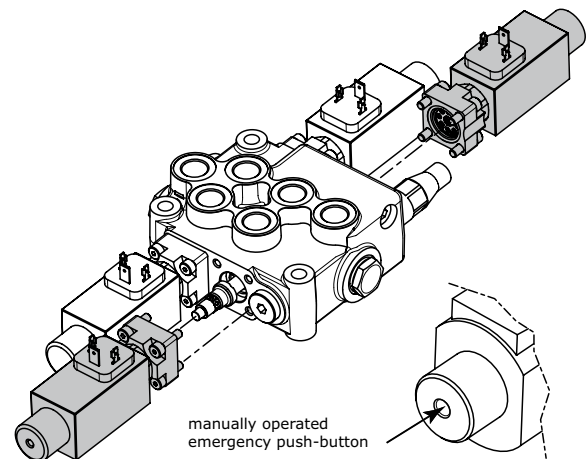
code	description	dimensions	configuration
H001	Protected lever		
H002	Protected lever rotated 180°		
H004	Control without lever		
H019	Protected lever with stroke limiter		
H020	Protected lever rotated 180° with stroke limiter		
H348	Protected lever 180° with attachment rotated 180°		
H349	Protected lever rotated 90° inlet side		
H350	Protected lever rotated 90° outlet side		



**Direct electrical control classification**

code	description	dimensions
<b>H036</b> leave out the spool return action code	Direct electric control 12 Vdc (45W - 3,75 A)	
<b>H037</b> leave out the spool return action code	Direct electric control 24 Vdc (45W - 1,88 A)	

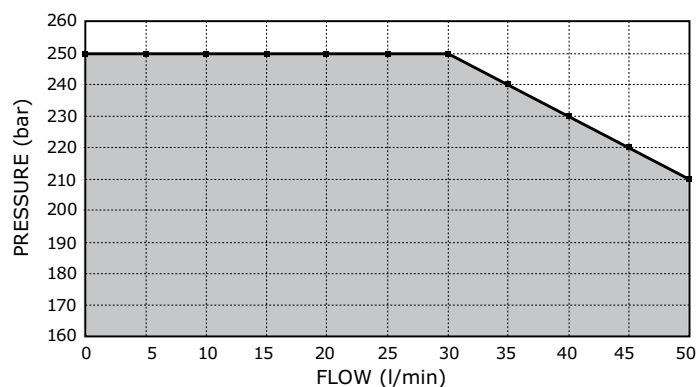
type	M45	
Rated voltage	12 VDC	24 VDC
Rated current	3,75 A	1,88 A
Rated power	45 W	
Permitted working voltage	±10% Nominal	
Max ambient temperature	+40°C	
Max oil temperature	+80°C	
Operation time	S1 (100%)	
Protection degree	IP65	
Insulation degree	H	
Standard connector	DIN 43650	
Spool stroke	2,5 + 2,5 mm	



The H036 and H037 direct electric controls come as two kits each including a: spring, solenoid and adapter. The Direct electric controls use a type E special spool and a type special body. The ON-OFF Electric Control kit includes a manually operated emergency push-button.

**Operating limit curve**

Data detected after voltage decrease equal to 28% of the rated value (conditions occurring with coil under stabilization temperature conditions with rated voltage reduced by 10%).





Joystick control classification

The configuration of joystick control interests always two working sections with relative four ports:

**A1 – B1 – A2 - B2.**

For convention:

- section 1 is the first invested from the flow of the oil: it depends from the right or left inlet of the control valve
- Port A = spool action side
- Port B = spool return action side

The position of the fulcrum is identified by a code and stands in four configurations as shown in the following table:

Fulcrum Inlet side	FULCRUM 1 <sup>st</sup> section	FULCRUM 2 <sup>nd</sup> section
RIGHT INLET	<p><b>H009</b></p> <p>Right side inlet fulcrum on 1<sup>st</sup> section (compulsory code for second section: H120)</p>	<p><b>H010</b></p> <p>Right side inlet fulcrum on 2<sup>nd</sup> section (compulsory code for first section: H120)</p>
	<p><b>H011</b></p> <p>Left side inlet fulcrum on 1<sup>st</sup> section (compulsory code for second section: H120)</p>	<p><b>H012</b></p> <p>Left side inlet fulcrum on 2<sup>nd</sup> section (compulsory code for first section: H120)</p>
LEFT INLET	<p><b>H011</b></p> <p>Left side inlet fulcrum on 1<sup>st</sup> section (compulsory code for second section: H120)</p>	<p><b>H012</b></p> <p>Left side inlet fulcrum on 2<sup>nd</sup> section (compulsory code for first section: H120)</p>

The second section concerned the configuration of the joystick control is always identified with code H120. Lever has to be ordered separately.

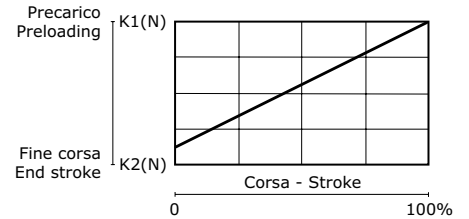




**Spool return action classification - Springs load values**

Spool return kits have three different spring types; following the codes depending on spring loads.

Spring type			
Type - Code	A (standard spring)	B (soft spring)	C (heavy spring)
<b>Preloading</b>	130 N	100 N	140 N
<b>End of stroke</b>	166 N	145 N	195 N
Spool return action identification example			
Type - Code	<b>F001A</b>	<b>F001B</b>	<b>F001C</b>



code	description	schema	dimensions	configuration
<b>F001A</b> <b>F001B</b> <b>F001C</b>	3 positions spring-centred spool			
<b>F002A</b>	3 positions spring-centred spool detent in A and B			
<b>F003A</b>	3 positions spring-centred spool detent in A			
<b>F004A</b>	3 positions spring-centred spool detent in B			
<b>F005A</b>	4 positions spring-centred spool detent in 4 <sup>th</sup> position (only for W012 spool)			
<b>F009A</b>	2 positions in A spring-centred spool			
<b>F010A</b>	2 positions in B spring-centred spool			
<b>F011A</b>	2 positions detent in A spring-centred spool			
<b>F012A</b>	2 positions detent in B spring-centred spool			



code	description	schema	dimensions	configuration
<b>F013A</b>	3 positions spring-centred spool prearrangement dual command			
<b>F014A</b>	3 positions spring-centred spool with stroke limiter			
<b>F149</b>	3 positions detent without return spring			

**Pneumatic control classification**

code	description	schema	dimensions	configuration
<b>F020A</b>	Pneumatic control ON - OFF		 Proportional control with port BSP: G 1/8	
<b>F021A</b>	Pneumatic control ON - OFF rotated 180°			
<b>F022A</b>	Proportional Pneumatic control			
<b>F023A</b>	Proportional Pneumatic control rotated 180°			



**Load limit classification**

code	description	schema	dimensions	configuration
<b>F024A</b> <b>F024C</b>	Load limit in A and B			
<b>F025A</b> <b>F025C</b>	Load limit in A and B rotated 180°			
<b>F026A</b> <b>F026C</b>	Load limit in A			
<b>F027A</b> <b>F027C</b>	Load limit in A rotated 180°			
<b>F028A</b> <b>F028C</b>	Load limit in B			
<b>F029A</b> <b>F029C</b>	Load limit in B rotated 180°			

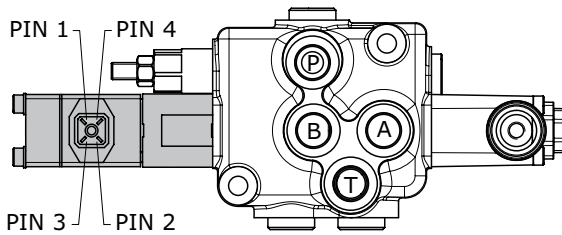
**NOTE:** on request is available the load limit with dual control; for more informations please contact our Commercial Dept.



**Electrical load limit kit classification**

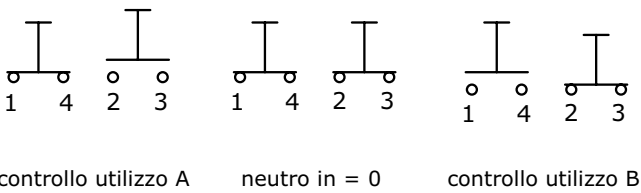
ELECTRICAL LOAD LIMIT KIT SPECIFICATIONS			
Power supply	Contacts capacity	Protection degree	temperature range
12 vdc	3 A	IP 65	da -25°C a +90°C
24 vdc	1,5 A		

**Operational diagram**



**CONTROL in A e B** = connect PIN 1 - 4 and 2 - 3  
**CONTROL in A** = connect PIN2 - 3  
**CONTROL in B** = connect PIN 1 - 4

**Wiring diagram**



In case of inductive loads it is advisable to connect the terminals of the workport (solenoid) to a 200 VDC - 3A diode.

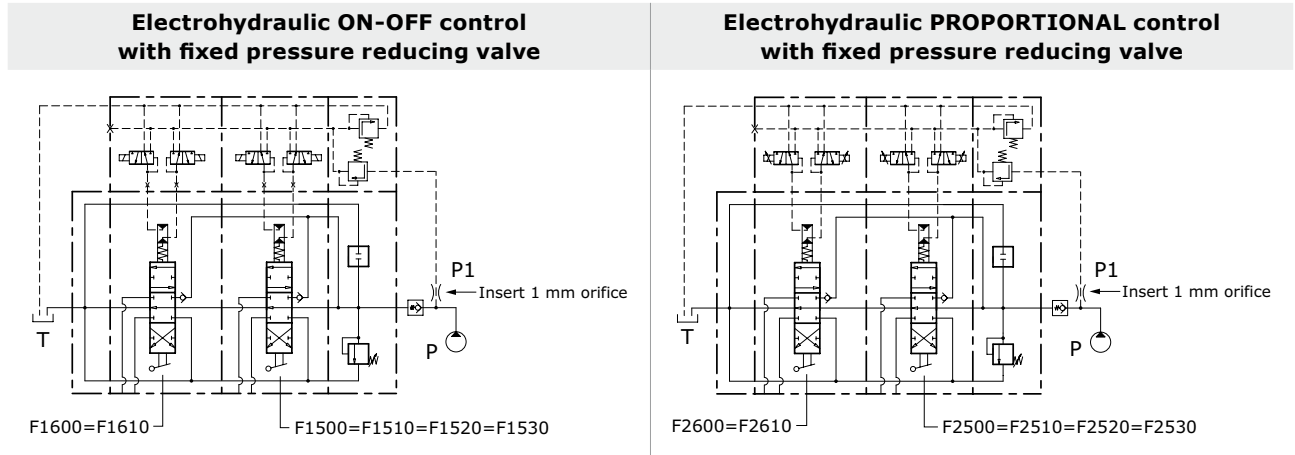
code	description	dimensions	configuration
<b>F0360</b>	Electrical load limit (normally closed contacts)		
<b>F0370</b>	Electrical load limit rotated 180° (normally closed contacts)		
<b>F0450</b>	Electrical load limit (normally open contacts)		
<b>F0460</b>	Electrical load limit rotated 180° (normally open contacts)		

**NOTE:** a HIRSCHMANN female connector, type G4 W1F, is available on request (code 413000045, to be ordered separately).



**Electrohydraulic control specifications**

Operating temperature range	-20°C / +80°C
Max inlet pressure	350 bar
Reduced pressure	16 bar
Back pressure on (T)	3 bar
Filtering degree	25 μ assoluti
Raccommended pilot pipe size	Ø 6 mm - G 1/4



Proportional control kit, mechanically retrooperated, allows the maximum precision of positioning, limiting the hysteresis. The control is operated with PWM control of the current. PWM frequency suggest: 60-80 Hz

REGULATION CURRENTS			
Nominal voltage (V)	Resistance R <sub>20</sub> (Ohm)	Current min (A)	Current max (A)
12 vdc	3,7	0,9	1,7
24 vdc	15,5	0,45	0,85

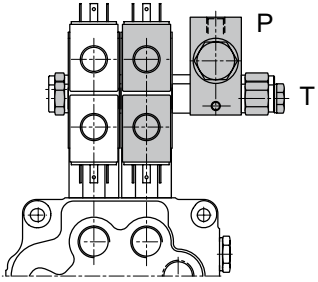
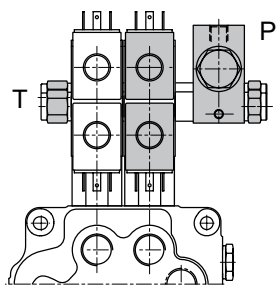
**Electrohydraulic control classification**

code	description	dimensions	configuration
<b>F1600</b>	3 positions electrohydraulic control ON - OFF 12 Vdc		
<b>F1610</b>	3 positions electrohydraulic control ON - OFF 24 Vdc		
<b>F2600</b>	3 positions electrohydraulic control PROPORTIONAL 12 Vdc		
<b>F2610</b>	3 positions electrohydraulic control PROPORTIONAL 24 Vdc		

Electrohydraulic ON-OFF control is stackable with electrohydraulic PROPORTIONAL control (F2600 = F2610). Control kit already includes orifice to make spool displacement more gradual.



**Electrohydraulic control with fixed pressure reducing valve classification**

code	description	configuration
<b>F1500</b>	Electrohydraulic control ON - OFF (fixed pressure reducing valve) P - T inlet side (12 vdc)	 <p>Port BSP (P - T) = G 1/4 Port UNF (P - T) = 9/16"18 UNF</p>
<b>F1510</b>	Electrohydraulic control ON - OFF (fixed pressure reducing valve) P - T inlet side (24 vdc)	
<b>F2500</b>	Electrohydraulic control PROPORTIONAL (fixed pressure reducing valve) P - T inlet side (12 vdc)	
<b>F2510</b>	Electrohydraulic control PROPORTIONAL (fixed pressure reducing valve) P - T inlet side (24 vdc)	 <p>Port BSP (P - T) = G 1/4 Port UNF (P - T) = 9/16"18 UNF</p>
<b>F1520</b>	Electrohydraulic control ON - OFF (fixed pressure reducing valve) P inlet - T outlet (12 vdc)	
<b>F1530</b>	Electrohydraulic control ON - OFF (fixed pressure reducing valve) P inlet - T outlet (24 vdc)	
<b>F2520</b>	Electrohydraulic control PROPORTIONAL (fixed pressure reducing valve) P inlet - T outlet (12 vdc)	
<b>F2530</b>	Electrohydraulic control PROPORTIONAL (fixed pressure reducing valve) P inlet - T outlet (24 vdc)	

**Control tie rod assembly**

The length of the control tie rod, will change depending on the section numbers; in this way it will be easy to install in the right way the sections and avoid any misassembly. Each kit is composed by 2 tie rods, 2 plugs, 2 connection ports and spacers according to the section number.

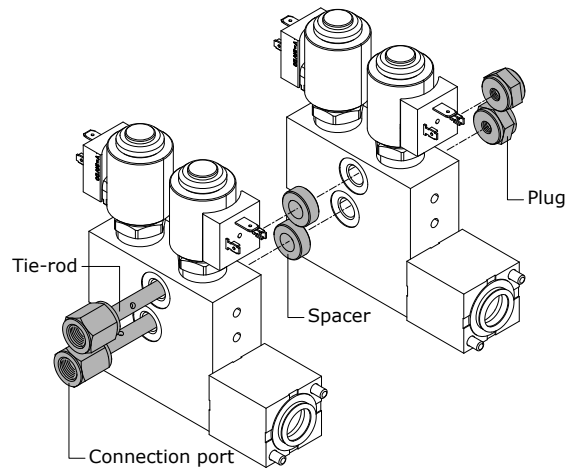
**NOTE:** the control tie rod kit has always to be ordered separately.

Reducing valve, combined with electrohydraulic control kit has to be calculated as a normal working section.

**ORDER EXAMPLE:**

Complete valves with 3 sections F1600 requires a complete tie-rod kit /3.

Complete valves with 2 sections F1600 and 1 section with F1500 (reducing valve) requires a complete tie-rod kit /4.



**Order code fixed pressure reducing valve:**

**915000303** = reducing valve for BSP ports

**915000312** = reducing valve for UNF ports

**Order code for control tie rod (BSP):**

**320103001** = control tie rod /1

**320102001** = control tie rod /2

**320102002** = control tie rod /3

**320102003** = control tie rod /4

**320102004** = control tie rod /5

**320102005** = control tie rod /6

**320102006** = control tie rod /7

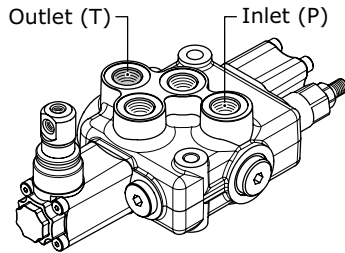


**OUTLET ARRANGEMENT**

This code indicates characteristics for outlet section: ports position and thread, simple T port or HPCO connection. It is possible to have simple T port or two ports configuration for HPCO connection: HPCO allows to extend by-pass channel and connect to a second valve. T ports dimensions and threads depends on the valve size.

**Order example - version 1 Outlet**

M45/1: IR 301 150 W001A H001 F001A MJ A G03



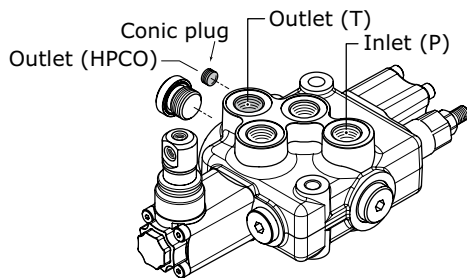
**OUTLET ARRANGEMENT:**

- 1. **MJ** outlet type
- 2. **A G03** outlet position and available thread type

Rif.	Code	Description	Page
1	<b>MJ</b>	Monoblock valve with single outlet (T) right-side inlet (P)	
	<b>MK</b>	Monoblock valve with single outlet (T) left-side inlet (P)	
2	<b>A G03</b>	P - T on the top / top ports A - B (thread G 3/8)	22
	<b>A U03</b>	P - T on the top / top ports A - B (thread 3/4"-16 UNF)	
	<b>C G03</b>	P - T on sides / top ports A - B (thread G 3/8)	
	<b>C U03</b>	P - T on sides / top ports A - B (thread 3/4"-16 UNF)	

**Order example - HPCO version Outlet**

M45/1: IR 301 150 W001A H001 F001A MM U G03



**OUTLET ARRANGEMENT:**

- 1. **MM** outlet type
- 2. **U G03** outlet position and available thread type

Rif.	Code	Description	Page
1	<b>MM</b>	Monoblock valve with two return (T - HPCO) right-side inlet (P)	
	<b>MN</b>	Monoblock valve with two return (T - HPCO) left-side inlet (P)	
2	<b>T G03</b>	P - T - HPCO on sides / top ports A - B (thread G 3/8)	23
	<b>T U03</b>	P - T - HPCO on sides / top ports A - B (thread 3/4"-16 UNF)	
	<b>U G03</b>	P - T on the top / HPCO on side / top ports A - B (thread G 3/8)	
	<b>U U03</b>	P - T on the top / HPCO on side / top ports A - B (thread 3/4"-16 UNF)	

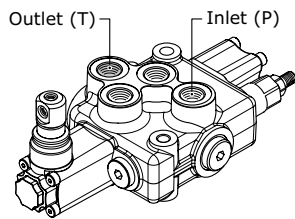
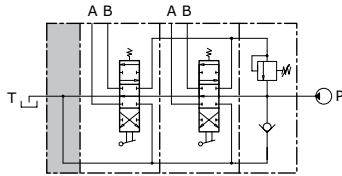


Outlet with single tank classification

outlet identification

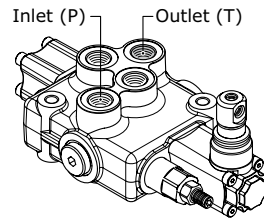
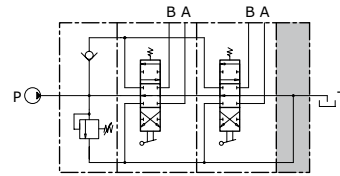
MJ

monoblock valve with single outlet (T)  
right-side inlet (P)



MK

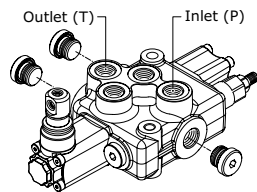
monoblock valve with single outlet (T)  
left-side inlet (P)



Outlet position

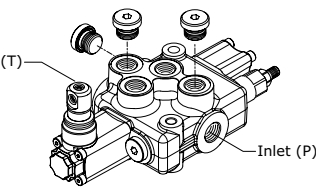
outlet combination and thread available

A G03



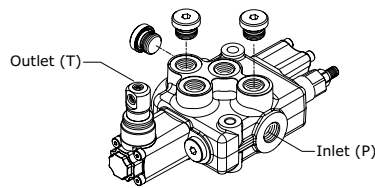
P - T on the top  
top ports A - B  
(thread G 3/8)

A U03



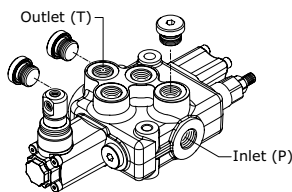
P - T on the top  
top ports A - B  
(thread 3/4" - 16 UNF)

C G03



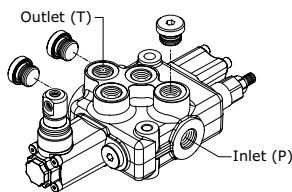
P - T on sides  
top ports A - B  
(thread G 3/8)

C U03



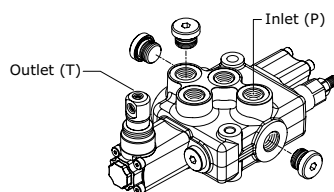
P - T on sides  
top ports A - B  
(thread 3/4" - 16 UNF)

K G03



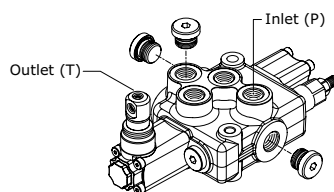
P on side - T on the top  
top ports A - B  
(thread G 3/8)

K U03



P on side - T on the top  
top ports A - B  
(thread 3/4" - 16 UNF)

L G03



P on the top - T on side  
top ports A - B  
(thread G 3/8)

L U03

P on the top - T on side  
top ports A - B  
(thread 3/4" - 16 UNF)





Outlet with two tanks classification

outlet identification	
<b>MM</b>	<p>monoblock valve with two return (T-HPCO) right-side inlet (P)</p>
<b>MN</b>	<p>monoblock valve with two return (T-HPCO) left-side inlet (P)</p>

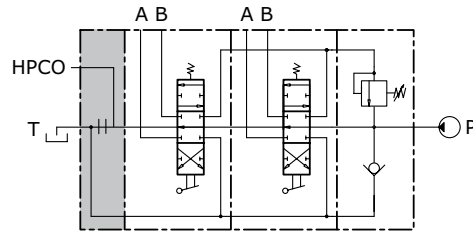
Outlet position

outlet combination and thread available	
<b>T G03</b>	<p>P-T-HPCO on sides top ports A - B (thread G 3/8)</p>
<b>T U03</b>	<p>P-T-HPCO on sides top ports A - B (thread 3/4" - 16 UNF)</p>
<b>U G03</b>	<p>P-T on the top - HPCO on side top ports A - B (thread G 3/8)</p>
<b>U U03</b>	<p>P-T on the top - HPCO on side top ports A - B (thread 3/4" - 16 UNF)</p>
<b>V G03</b>	<p>P-HPCO on side - T on the top top ports A - B (thread G 3/8)</p>
<b>V U03</b>	<p>P-HPCO on side - T on the top top ports A - B (thread 3/4" - 16 UNF)</p>
<b>X G03</b>	<p>P on the top - T-HPCO on sides top ports A - B (thread G 3/8)</p>
<b>X U03</b>	<p>P on the top - T-HPCO on sides top ports A - B (thread 3/4" - 16 UNF)</p>

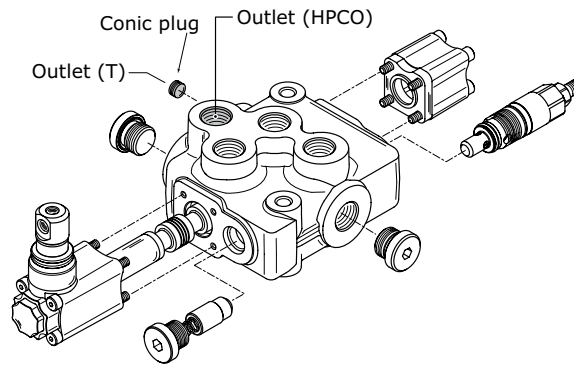


**CARRY-OVER CONNECTION (HPCO)**

This option, available on all M45, allows the sectional valve to feed a second valve, by extending the free flow channel. In this configuration, the valve need a separated port for connection to tank.



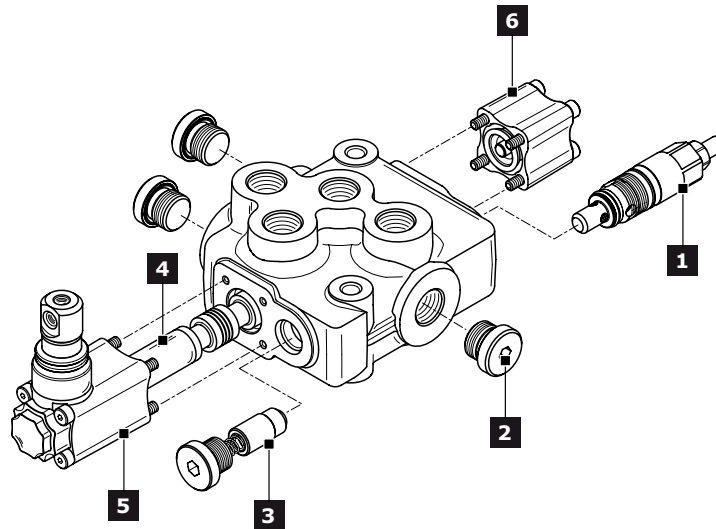
It is possible to transform monoblock valve from standard to HPCO version just by ordering the appropriate conic plug:



code (HPCO Plug identification)	description	q.ty
413010210	conic plug 1/4" x 6,5	1



**M45 SPARE PARTS LIST**



**The following order codes of spools, actuation kits and return springs are available only M45 right inlet. The inlet version uses different codes.**

Ref.	Description	Order code	Q.ty	Code	Note
<b>1</b>	Direct acting pressure relief valve (*)	<b>71628</b>	1	-	Setting: 100 bar
		<b>71708</b>			Setting: 200 bar
		<b>74143</b>			Setting: 300 bar
	Relief valve plugged	<b>430172001</b>	1		
<b>2</b>	Plug kit (G 3/8)	<b>430000018</b>	1	<b>G03</b>	
	Plug kit (3/4" - 16 UNF)	<b>300001006</b>		<b>U03</b>	
<b>3</b>	Check valve	<b>320272001</b>	1		
<b>4</b>	3 positions double-acting spool	<b>421272002</b>	1	<b>W001A</b>	flow: 45 l/min
		<b>421272011</b>		<b>W001B</b>	flow: 30 l/min
		<b>421272003</b>		<b>W001C</b>	flow: 15 l/min
	Assembly spool	<b>430372001</b>		<b>W001E</b>	for direct electrical control
	3 positions double-acting A and B to tank spool	<b>421272004</b>		<b>W002A</b>	flow: 45 l/min
		<b>421272013</b>		<b>W002B</b>	flow: 30 l/min
		<b>421272032</b>		<b>W002C</b>	flow: 15 l/min
		<b>430372002</b>		<b>W002E</b>	for direct electrical control
	3 positions single-acting on A	<b>421272007</b>		<b>W005A</b>	flow: 45 l/min
	3 positions single-acting on B	<b>421272008</b>		<b>W006A</b>	flow: 45 l/min
4 positions double-acting with float in the 4 <sup>th</sup> pos.	<b>421272030</b>	<b>W012A</b>	flow: 45 l/min		
<b>5</b>	Protected lever	<b>320372001</b>	1	<b>H001 = H002</b>	only for W012 spool
		<b>320372005</b>			
	Control without lever	<b>320372002</b>		<b>H004</b>	
		<b>320372004</b>			
	Protected lever with stroke limiter	<b>320373003</b>		<b>H019 = H020</b>	
	Joystick control	<b>320672001</b>		<b>H009 = H012</b>	
<b>320672002</b>		<b>H010 = H011</b>			
Direct electrical control (12 vdc)	<b>320072020</b>	2	<b>H036</b>	only for spool type "E"	
Direct electrical control (24 vdc)	<b>320072021</b>		<b>H037</b>		
<b>6</b>	3 position spring centred spool	<b>320772001</b>	1	<b>F001A</b>	
	Detent in A and B	<b>320872007</b>		<b>F002A</b>	
	Detent in A	<b>320872008</b>		<b>F003A</b>	
	Detent in B	<b>320872009</b>		<b>F004A</b>	
	Detent in 4 <sup>th</sup> position	<b>320872015</b>		<b>F005A</b>	only for W012 spool
	Prearrangement dual command	<b>320772006</b>		<b>F013A</b>	
	Pneumatic control ON-OFF	<b>321172001</b>		<b>F020A = F021A</b>	
	Proportional pneumatic control	<b>321272001</b>		<b>F022A = F023A</b>	BSP ports



Ref.	Description	Order code	Q.ty	Code	Note
<b>6</b>	Load limit in A and B	<b>320072001</b>		<b>F024A = F025A</b>	
	Load limit in A	<b>320072003</b>		<b>F026A = F027A</b>	
	Load limit in B	<b>320072005</b>		<b>F028A = F029A</b>	
	Electrical load limit (normally closed contacts)	<b>320072007</b>		<b>F0360 = F0370</b>	
	Electrical load limit (normally open contacts)	<b>320072008</b>		<b>F0450 = F0460</b>	
	Electrohydraulic ON - OFF (12 vdc)	<b>321472003</b>		<b>F1600</b>	
	Electrohydraulic ON - OFF (24 vdc)	<b>321472004</b>		<b>F1610</b>	
	Electrohydraulic Proportional (12 vdc)	<b>322072001</b>	1	<b>F2600</b>	
	Electrohydraulic Proportional (24 vdc)	<b>322072002</b>		<b>F2610</b>	
	Electrohydraulic ON - OFF (12 vdc) with reducing valve	<b>321472007</b>		<b>F1500 = F1520</b>	BSP ports
	Electrohydraulic ON - OFF (24 vdc) with reducing valve	<b>321472008</b>		<b>F1510 = F1530</b>	
	Electrohydraulic Proportional (12 vdc) with reducing valve	<b>322072003</b>		<b>F2500 = F2520</b>	UNF ports
	Electrohydraulic Proportional (24 vdc) with reducing valve	<b>322072004</b>		<b>F2510 = F2530</b>	
	Electrohydraulic Proportional (12 vdc) with reducing valve	<b>322072005</b>		<b>F2500 = F2520</b>	BSP ports
Electrohydraulic Proportional (24 vdc) with reducing valve	<b>322072006</b>		<b>F2510 = F2530</b>		



**INSTALLATION**

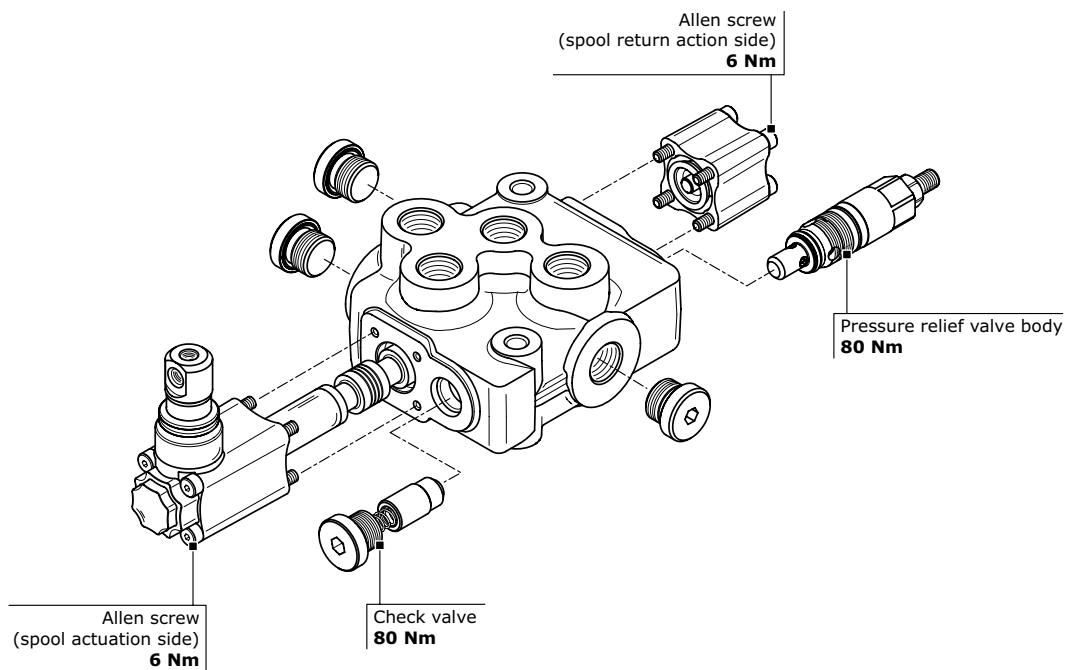
**Guidelines**

- Mount the control valve securely to a flat surface (recommended 3 point fixing); at the time do not use a hammer to positioning by hitting.
- When handling the monoblock valve, be careful not hold the pilot cover or return spring cap of the spool or accessory valves such as main relief valves.
- Clean piping materials sufficiently before use.
- Make sure to prevent the port openings from being entered with dust or foreign matters.
- Tighten the port connectors surely with the recommended fastening torques.
- Do not direct the jet of a pressure washing unit directly to the valve.

**Fittings tightening torque (Nm)**

thread type	port P	Port A - B	Port T/HPCO
<b>BSP (ISO - 228)</b>	<b>G 3/8</b>	<b>G 3/8</b>	<b>G 3/8</b>
with rubber sealing (DIN 3869)	40	40	40
with copper or steel and rubber washer	40	40	40
<b>UN-UNF (ISO - 725)</b>	<b>3/4" - 16 UNF</b>	<b>3/4" - 16 UNF</b>	<b>3/4" - 16 UNF</b>
with O.R.	40	40	40

**General Clamping torque (Nm)**





**Dimensions - Thread codes**

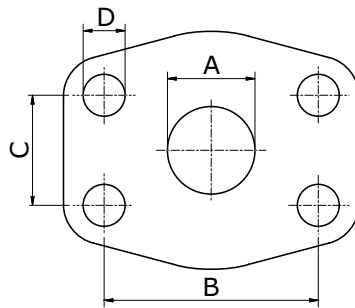
The connection ports size is indicated by an ordering code common for all Hydrocontrol products. Following table shows all available connections.

<b>METRIC THREAD (ISO 9974-1)</b>			
Type	M18x1,5	M22x1,5	M27x2
Code	<b>M01</b>	<b>M02</b>	<b>M03</b>

<b>BSP THREAD (ISO 1179-1)</b>								
Type	1/4"	3/8"	1/2"	3/4"	1"	1"1/4	1"1/2	2"
Code	<b>G02</b>	<b>G03</b>	<b>G04</b>	<b>G05</b>	<b>G06</b>	<b>G07</b>	<b>G08</b>	<b>G09</b>

<b>UN / UNF THREAD (ISO 11926-1)</b>						
Type	9/16" 18 UNF SAE6	3/4" 16 UNF SAE8	7/8" 14 UNF SAE10	1"1/16 12 UNF SAE12	1"5/16 12 UNF SAE16	1"5/8 12 UNF SAE20
Code	<b>U02</b>	<b>U03</b>	<b>U04</b>	<b>U05</b>	<b>U06</b>	<b>U07</b>

**Dimensions - SAE Flange codes**



<b>SAE / 3000 FLANGE (ISO 6162-1)</b>												
Type	3/4" (MA)	3/4" (UNC)	1" (MA)	1" (UNC)	1"1/4 (MA)	1"1/4 (UNC)	1"1/2 (MA)	1"1/2 (UNC)	2" (MA)	2" (UNC)	3" (MA)	3" (UNC)
Code	<b>S03</b>	<b>S04</b>	<b>S05</b>	<b>S06</b>	<b>S07</b>	<b>S08</b>	<b>S09</b>	<b>S10</b>	<b>S11</b>	<b>S12</b>	<b>S15</b>	<b>S16</b>
A	19	19	25	25	32	32	38	38	51	51	76	76
B	47,6	47,6	52,4	52,4	58,7	58,7	69,9	69,9	77,8	77,8	106,4	106,4
C	22,3	22,3	26,2	26,2	30,2	30,2	35,7	35,7	42,9	42,9	61,9	61,9
D	M10	3/8-16	M10	3/8-16	M10	7/16-14	M12	1/2-13	M12	1/2-13	M16	5/8-11

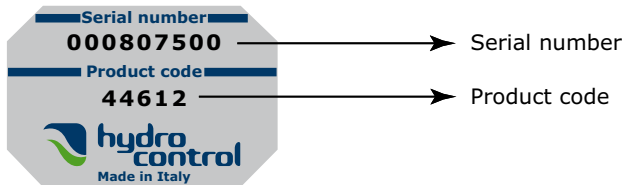
<b>SAE / 6000 FLANGE (ISO 6162-2)</b>								
Type	3/4" (MA)	3/4" (UNC)	1" (MA)	1" (UNC)	1"1/4 (MA)	1"1/4 (UNC)	1"1/2 (MA)	1"1/2 (UNC)
Code	<b>S33</b>	<b>S34</b>	<b>S35</b>	<b>S36</b>	<b>S37</b>	<b>S38</b>	<b>S39</b>	<b>S40</b>
A	19	19	25	25	32	32	38	38
B	50,8	50,8	57,2	57,2	66,6	66,6	79,3	79,3
C	23,8	23,8	27,8	27,8	31,8	31,8	36,5	36,5
D	M10	3/8-16	M12	7/16-14	M14	1/2-13	M16	5/8-11



## GENERAL CONDITIONS AND PATENTS

### Product identification

All Hydrocontrol products have an identifying plate placed in specific position.



#### Serial number:

It univocally identifies the physical valve: this provides an easy way to find all sales and production details.

#### Product code:

It is a number univocally identifying the configuration and pressure settings of a valve.

### Introduction

These general conditions apply to all general supplies from Hydrocontrol s.p.a., after receiving orders from the Customer. Should commercial terms such as EXW, DDP, etc be mentioned, of course the Incoterms of the International Chamber of Commerce must be referred to, according to the test existing when the general supply conditions are agreed on.

### Management of orders

No Customer's order is binding to Hydrocontrol s.p.a. if Hydrocontrol s.p.a. has not confirmed the order in writing. Hydrocontrol s.p.a. commits to supplying the orders in compliance with the order confirmation that has been issued. Any disagreement with the content of the order confirmation must be communicated in writing to Hydrocontrol s.p.a. within and no later than 5 days from the delivery of the order confirmation. The Customer commits to paying for the goods supplied by Hydrocontrol s.p.a., according to the prices indicated on the order confirmation.

### Payment conditions

The Parties agree on the payment terms at the beginning of the supply. The terms will be indicated on the order confirmation. Should the Customer be late with the payments, Hydrocontrol S.p.a. will be entitled to require the payment of interests on arrears based on the exiting Prime Rate increased by 2%. Should there be any payment delay, Hydrocontrol s.p.a. will be entitled not to process the Customer's purchase order, even if it has already been confirmed.

### Delivery and shipment

The goods are always supplied Ex Works, even when Hydrocontrol s.p.a. agrees with the Customer that the shipment, or a part of it, will be arranged by Hydrocontrol s.p.a. It is agreed that the Customer will bear the risk of goods deterioration or damaging from the moment the goods are handed by Hydrocontrol s.p.a. to the first carrier.

### Product characteristics

Hydrocontrol s.p.a. commits to supplying good quality products, compliant with the technical specifications declared on the technical tables and on the catalogue. Hydrocontrol s.p.a, even without notice, at its own discretion, reserves the right to modify the products as necessary, without these changes altering the main characteristics of the products.

### Claims

Any claims about defects on delivered products (just as an example: claims about the packaging, the number, the quantity or the external product characteristics) will have to be notified to Hydrocontrol s.p.a. in writing, within and no later than 7 days from reception of the goods, otherwise the claims will be considered as null and void. Occult defects (the defects of the goods that cannot be spotted with a careful control of the goods received by the Customer), will have to be notified in writing to Hydrocontrol s.p.a. within 7 days from the discovery of the defect, and anyhow no later than 12 months from the delivery of the goods, otherwise the claim will be considered as null and void. Even in case of claim or objection, the Customer will never be entitled to suspend or delay the payments to Hydrocontrol s.p.a. for the products subject to claim or objection nor for any other supply.



## GENERAL CONDITIONS AND PATENTS

### Warranty

Should the products supplied by Hydrocontrol not be compliant or have the required quality and should this defect be due to Hydrocontrol, Hydrocontrol s.p.a. commits, at its choice, to replace or repair the faulty products, as long as the defect or lack of compliance is notified to Hydrocontrol s.p.a. in writing, as specified at point 6, within and no later than 18 months from product delivery. On the products that have been fixed or replaced in accordance with what specified above, the above-mentioned warranty applies. The 12 month duration starts from the date of repair or replacement. In case of defects, lack of quality or in case of lack of compliance for the supplied products, with the exception of fraud or serious offence, Hydrocontrol s.p.a. only commits to repairing or replacing the faulty products, according to what specified above. This warranty replaces any other Supplier's warranty or liability established by the law. This warranty excludes any other liability contractual or extra-contractual by Hydrocontrol s.p.a. on the products supplied by Hydrocontrol (as a mere example: damage refund, loss of profit, product recall campaign, etc). Hydrocontrol s.p.a. has signed a product civil liability police, with a suitable maximum coverage.

### Ownership retention

The products supplied by Hydrocontrol s.p.a. will be owned by the latter until Hydrocontrol receives the complete payment for the supplied goods.

### Obligation confidentiality

Hydrocontrol s.p.a. commits to not disclosing the technical and commercial information it receives from the Customer, unless this information has already been publicly disclosed.

### Patents

The Customer is not allowed to use the provided Products, or a part of them, their descriptions or drawings protected or not protected by Patent or registered trademark in order to design or make similar products, unless Hydrocontrol s.p.a. previously issues its written authorization. Should Hydrocontrol s.p.a. give its written authorization, all patents, trademarks, registered designs, copyrights and intellectual property rights related or connected to the Products provided by Hydrocontrol s.p.a. will stay Hydrocontrol's property. The Customer commits to respecting the highest confidentiality.

### Applicable law and court of jurisdiction

Hydrocontrol s.p.a.'s supplies are regulated by these General Supply Conditions and, for anything not defined here, by the Italian law. Any controversy related, generated or connected to the supply of Products by Hydrocontrol s.p.a., where Hydrocontrol s.p.a. is involved, will be exclusively dealt with by the Court of Bologna.



**Walvoil nel mondo - Walvoil worldwide**  
**Sede principale, Filiali e Uffici di rappresentanza**  
**Headquarters, Subsidiaries and Representative Offices**

**Walvoil S.p.A. - Headquarters**

Via Adige, 13/D . 42124 Reggio Emilia . Italy  
Phone +39 0522 932411 . info@walvoil.com - www.walvoil.com

**Business Unit Hydrocontrol**

Via San Giovanni, 481 . 40060 Osteria Grande  
Castel S. Pietro Terme . Bologna . Italy  
Phone +39 051 6959411

**Galtech Site**

Via Portella della Ginestra, 10 . 42025 Cavriago  
Zona Industriale Corte Tegge . Reggio Emilia . Italy  
Phone +39 0522 932411

**AUSTRALASIA**

**Walvoil Fluid Power Australasia Pty Ltd**

13 Vanessa Way . Delahey VIC 3037 . Melbourne . Australia  
TEL. 0061 458 918 750 . australasia@walvoil.com

**BRASILE . BRAZIL**

**Interpump Hydraulics Brasil Ltda - Walvoil Division**

Gilberto de Zorzi, 525 . Forqueta Caxias do Sul (RS)  
TEL. 0055 54 3223 2373 . infobrasil@walvoil.com

**CANADA**

**Galtech Canada Inc.**

3100, Jacob Jordan . Terrebonne . Qc J6X 4J6 . Canada  
Phone +1 450 477 1076 Ext:225 . info@galtechcanada.com

**CINA . CHINA**

**Walvoil Fluid Power (Shanghai) Company Limited**

24, Lane 129, Dieqiao Road . Pu Dong . Kanqiao Industrial Zone Shanghai (201319)  
TEL. 0086 21 60979800 . info@walvoil.com.cn

**Guangzhou Bushi Hydraulic Technology Ltd**

Shangwei Shaheshe, Yuehu Village . Xiancun, Xintang Town . Zengcheng City  
511335 Guangzhou . Guangdong Province China  
Phone +86 021 52380695 . fareast@hydrocontrol-inc.com

**COREA DEL SUD . SOUTH KOREA**

**Walvoil Fluid Power Korea Ltd.**

80-15, Oseongsandan 1Ro, Oseong-Myun, Pyungtaek, Kyungki . Korea 451-872  
TEL. +82 31 682 6030 . info@walvoil.co.kr

**FRANCIA . FRANCE**

**Walvoil Fluid Power France**

362 rue de Bretagne . 44540 Vritz  
TEL. 0033 2 41 94 41 06 . france@walvoil.com

**INDIA**

**HC Hydraulic Technology(P) LTD**

A5(B) Ngef Ancillary Indl. Estate . Whitefield Road  
Mahadevpura (Po) . Bangalore 560048 . India  
Phone +91 080 40454707 . info@hydrocontrol-india.com

**Walvoil Fluid Power (India) PVT. LTD.**

No 23, Doddanakundi Industrial Area Mahadevapura Post Behind Graphite India  
Bangalore 560 048  
TEL. 0091 80 41842900 . info@walvoil.co.in

**U.S.A.**

**Hydrocontrol Inc.**

1109, Technology Drive . Red Wing . MN 55066 . U.S.A.  
Phone +1 651 212 6400 . usa@hydrocontrol-inc.com

**Walvoil Fluid Power Corporation**

4111 North Garnett Tulsa, OK 74116, USA  
TEL. 001 918 858 7100 . info@walvoilfluidpower.com

1<sup>st</sup> edition M45.01

[www.hydrocontrol-inc.com](http://www.hydrocontrol-inc.com)



D1WHEA01E

